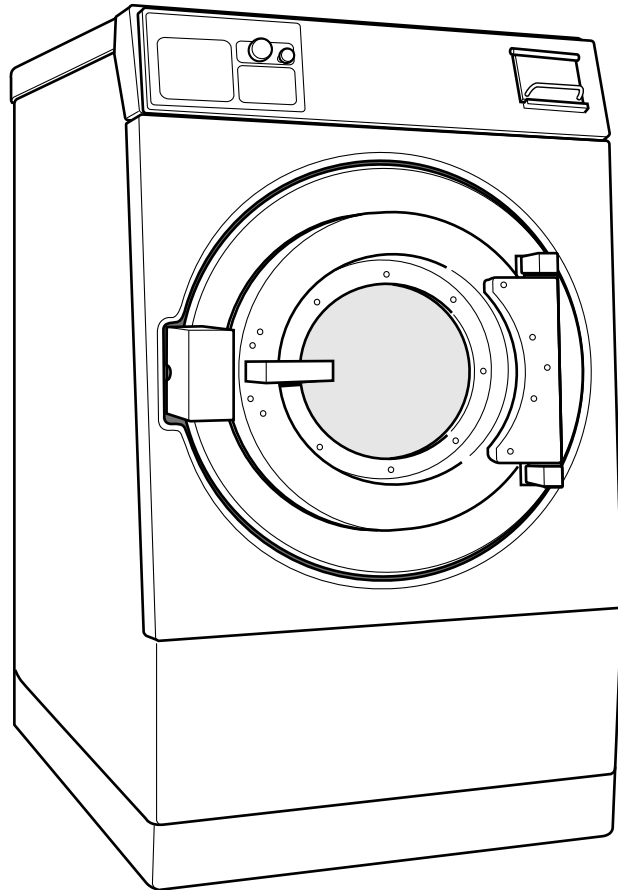


Washer-Extractor

Refer to Page 5 for Model Numbers



PHM1397C_C002923

Table of Contents

Title	Page
Parts Ordering Information.....	3
Nameplate Location	3
Model Identification	5
Product Overview - PS40 Control	6
Decals - Models through 8/31/09 (Drawing 1 of 2)	8
Decals - Models through 8/31/09 (Drawing 2 of 2)	10
Decals - Models starting 9/1/09	12
Bearing Housing Assembly (Drawing 1 of 6)	14
Bearing Housing Assembly (Drawing 2 of 6)	16
Bearing Housing Assembly (Drawing 3 of 6)	18
Bearing Housing Assembly (Drawing 4 of 6)	20
Bearing Housing Assembly (Drawing 5 of 6)	22
Bearing Housing Assembly (Drawing 6 of 6)	24
Cabinet Assembly (Drawing 1 of 4)	26
Cabinet Assembly (Drawing 2 of 4)	28
Cabinet Assembly (Drawing 3 of 4)	30
Cabinet Assembly (Drawing 4 of 4)	32
Cylinder Assembly (Drawing 1 of 2).....	34
Cylinder Assembly (Drawing 2 of 2).....	36
Single Cup Dispenser Assembly.....	38
5 Cup Dispenser Assembly.....	40
Door Assembly - Models through 2/9/09.....	42
Door Assembly - Models starting 2/10/09	44
Door Lock.....	46
Door Lock Assembly with Magnetic Sensor.....	48
5 Cup Hot Plumbing Assembly	50
1 Cup Hot Plumbing Assembly	52
5 Cup Cold Plumbing Assembly (Drawing 1 of 3).....	54
5 Cup Cold Plumbing Assembly (Drawing 2 of 3).....	56
5 Cup Cold Plumbing Assembly (Drawing 3 of 3).....	58
Single Cup Cold Plumbing Assembly (Drawing 1 of 3).....	60
Single Cup Cold Plumbing Assembly (Drawing 2 of 3).....	62
Single Cup Cold Plumbing Assembly (Drawing 3 of 3).....	64
Auxiliary Plumbing Assembly with Valve.....	66
Auxiliary Plumbing Assembly without Valve (Drawing 1 of 2).....	68
Auxiliary Plumbing Assembly without Valve (Drawing 2 of 2).....	70
Hot and Auxiliary Plumbing Assembly with Valve (Drawing 1 of 2)	72
Hot and Auxiliary Plumbing Assembly with Valve (Drawing 2 of 2)	74
Steam Heat Assembly	76
Shell Assembly (Drawing 1 of 2).....	78
Shell Assembly (Drawing 2 of 2).....	80

© Copyright 2013, Alliance Laundry Systems LLC

All rights reserved. No part of the contents of this book may be reproduced or transmitted in any form or by any means without the expressed written consent of the publisher.

Control Box Assembly.....	82
Drive Box Assembly (Drawing 1 of 2)	84
Drive Box Assembly (Drawing 2 of 2)	86
Electric Heat Drive Box Assembly	88
PowerFlex Drive and EMI Filter (Drawing 1 of 2).....	90
PowerFlex Drive and EMI Filter (Drawing 2 of 2).....	92
Main Assembly (Drawing 1 of 10)	94
Main Assembly (Drawing 2 of 10)	96
Main Assembly (Drawing 3 of 10)	98
Main Assembly (Drawing 4 of 10)	100
Main Assembly (Drawing 5 of 10)	102
Main Assembly (Drawing 6 of 10)	104
Main Assembly (Drawing 7 of 10)	106
Main Assembly (Drawing 8 of 10)	108
Main Assembly (Drawing 9 of 10)	110
Main Assembly (Drawing 10 of 10)	112
Parts Index	115

Parts Ordering Information

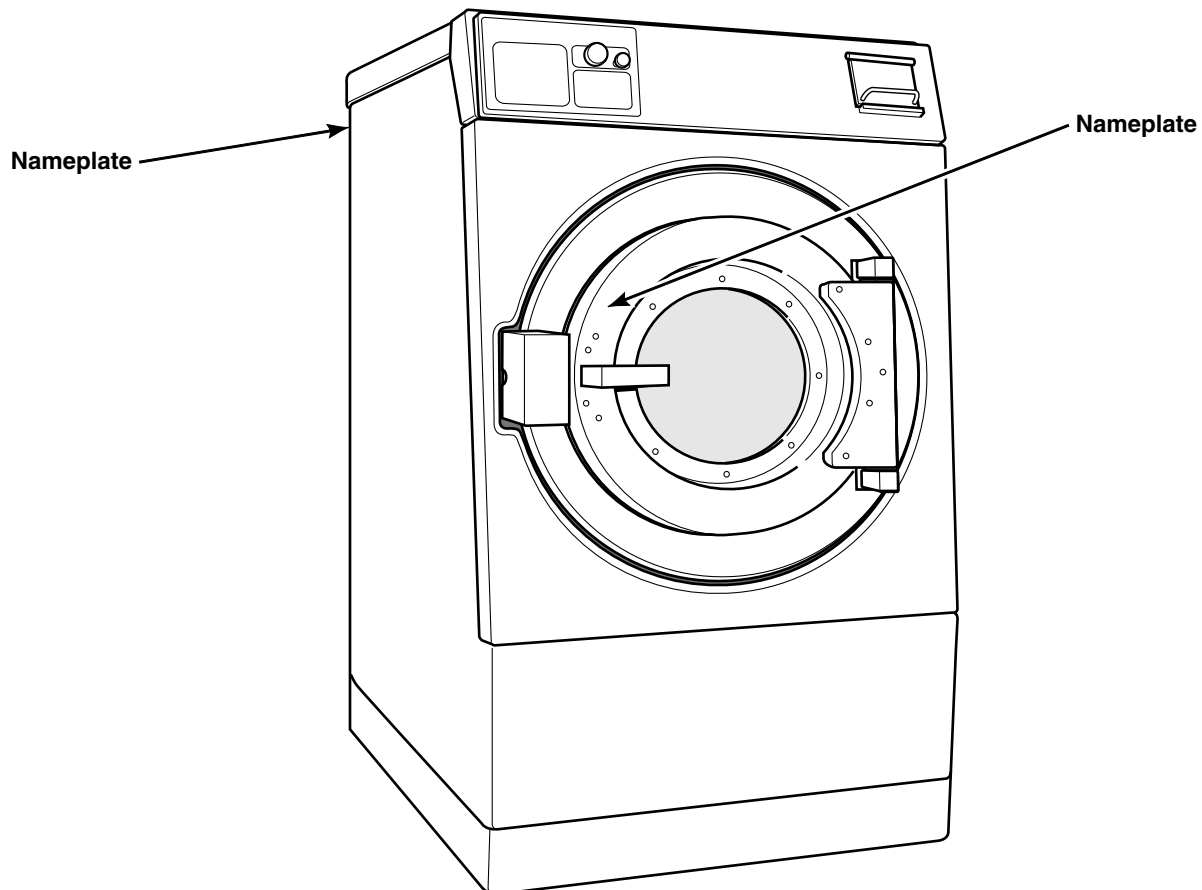
If literature or replacement parts are required, contact the source from whom the machine was purchased or contact Alliance Laundry Systems at (920) 748-3950 for the name and address of the nearest authorized parts distributor.

For technical assistance, call either of the numbers listed below:

(920) 748-3121 Ripon, Wisconsin
+32 56 41 20 54 Wevelgem, Belgium

Nameplate Location

When calling or writing about your product, be sure to mention model and serial numbers. Model and serial numbers are located on nameplate(s) as shown. The nameplate is located inside the door and on the upper rear panel.



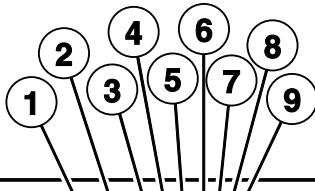
PHM1397CA_C002923

Model Identification


Information in this manual is applicable to these washer-extractor models:

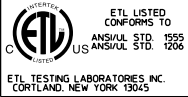
CPC125H	IPH125H	JP125PHN1
CPC140H	IPH140H	JP125PHN2
CPC140M	IPH140M	JP140PHN1
CP125PHN1	IPH570	JP140PHQ1
CP125PHN2	IPH640	JP140PMQ1
CP125PHQ1	IP125PHN1	
CP125PHQ2	IP125PHN2	
CP140PHN1	IP125PHQ1	
CP140PHQ1	IP125PHQ2	
CP140PMN1	IP140PHN1	
CP140PMQ1	IP140PHQ1	
	IP140PMN1	
	IP140PMQ1	

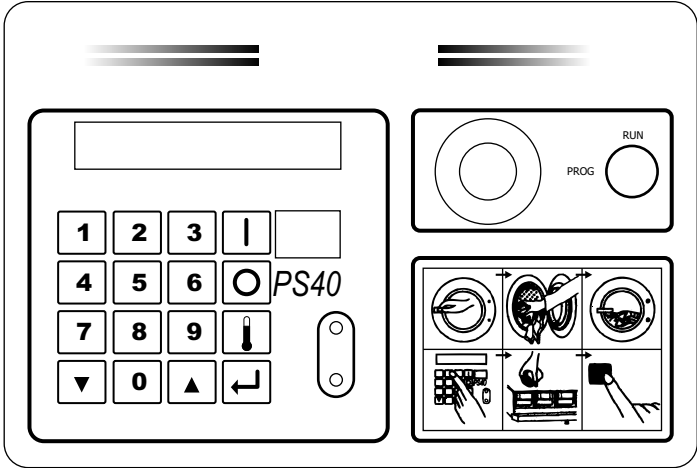
Product Overview - PS40 Control



Model No. *P040PHQ1001U01
 Serial No. 00000000000
 Voltage 208 – 240 Hz 60 Phase 3
 Number of wires : 3 FLA: amps
 Circuit Breaker Size : 3 amps
 Max. Load: 40 LB 18.2 KG
 Schematic:
 Supply Water: 30 - 85 psi, 2 - 5.7 BAR





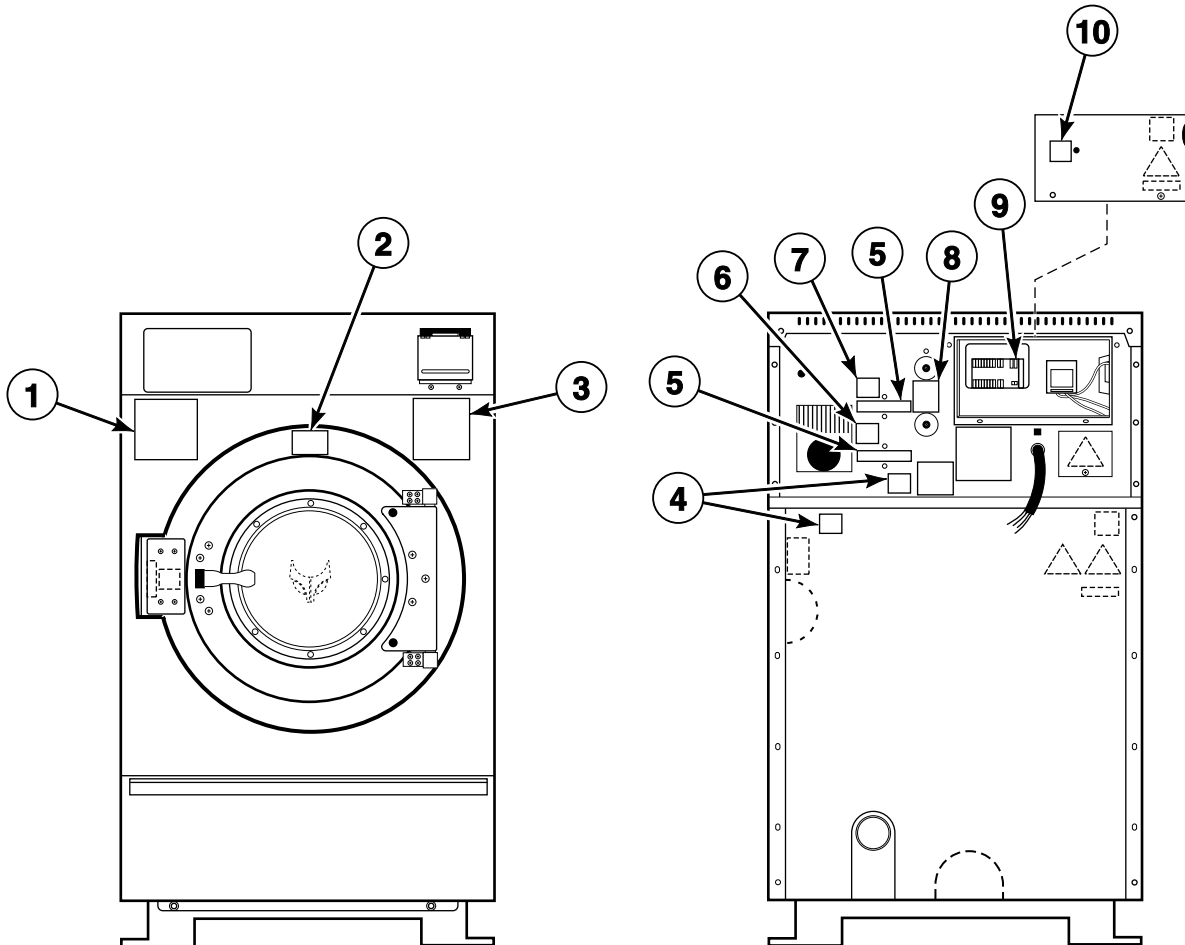


PHM3091P_C002923

Product Overview - PS40 Control

REF	PART NO.	DESCRIPTION	COMMENTS
1		Product Family	CP IP JP
2		Capacity (Pounds)	040 060 080 100 125 140 175
3		Control	P (PS-40 Control)
4		Speed	H (High Speed) M (Medium Speed)
5		Voltage	N (380-415/440-480/50/60/3) Q (208-220/220-240/50/60/3) X (208-220/220-240/50/60/1/3)
6		Design	1 2
7		Heat	0 (Prep for Steam) D (Direct) E (Electric)
8		Plumbing	0 (Standard US Thread - 2 valves) A (US Thread - 3 valves) B (Metric Thread - 2 valves) C (Metric Thread - 3 valves) D (US Thread - 2 valves, 3 inlets) E (No valves)
9		Supply	1 (1 Compartment 6 Signals) 2 (1 Compartment 12 Signals) 5 (5 Compartments 6 Signals) 6 (5 Compartments 12 Signals) 7 (No Compartment 6 Signals) 8 (No Compartment 12 Signals)

Decals - Models through 8/31/09 (Drawing 1 of 2)

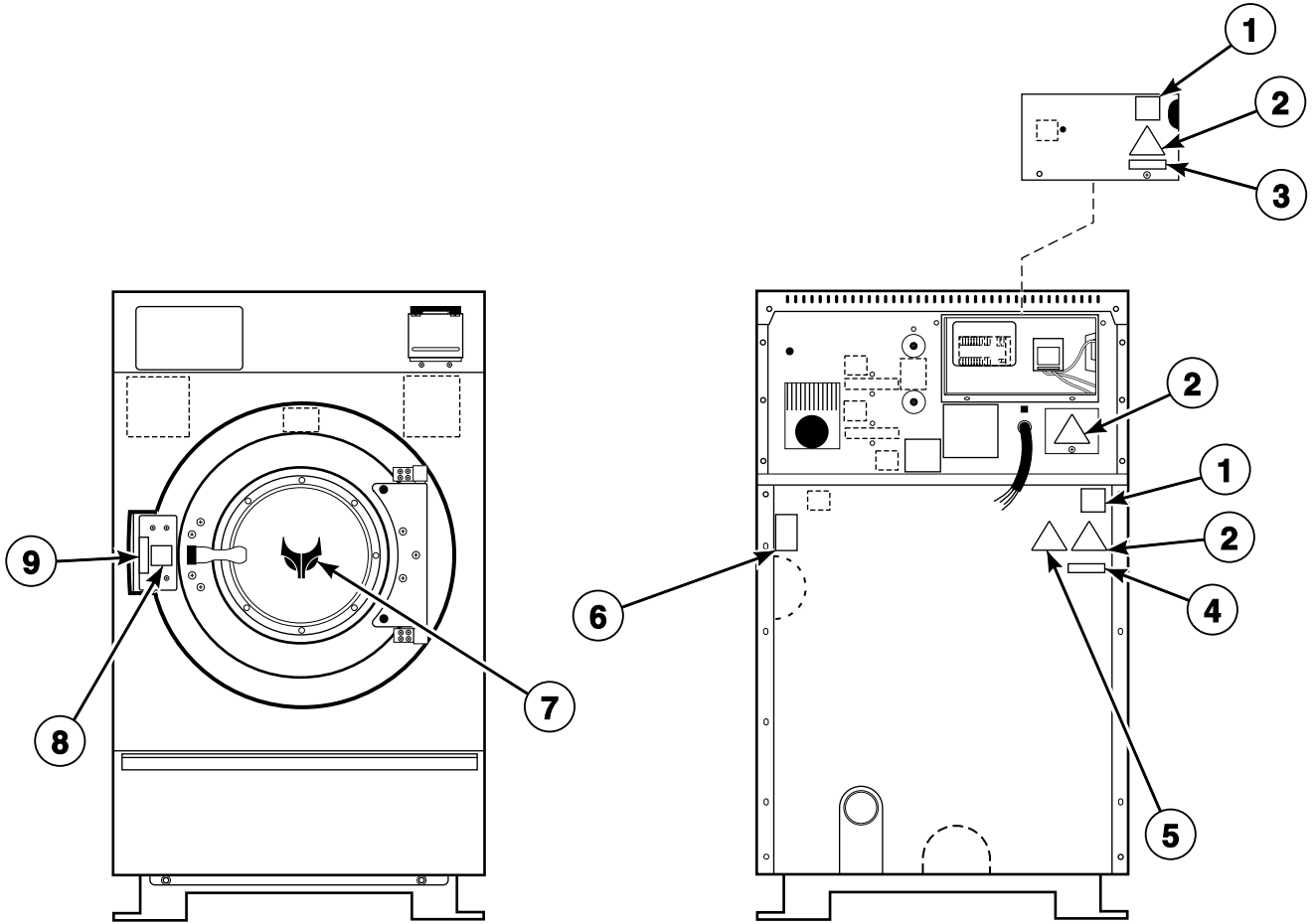


PHM2767P_C002923

Decals - Models through 8/31/09 (Drawing 1 of 2)

REF	PART NO.	DESCRIPTION	COMMENTS
1	F200085100	Spin Warning Decal	Models CP125PHN1, CP125PHQ1, CP140PHN1, CP140PHQ1, CP140PMN1, CP140PMQ1, IP125PHN1, IP125PHQ1, IP140PHN1, IP140PHQ1, IP140PMN1, IP140PMQ1, JP125PHN1, JP140PHN1, JP140PHQ1 and JP140PMQ1
2	F200085000	Hot Surface Warning Decal	Models CP125PHN1, CP125PHQ1, CP140PHN1, CP140PHQ1, CP140PMN1, CP140PMQ1, IP125PHN1, IP125PHQ1, IP140PHN1, IP140PHQ1, IP140PMN1, IP140PMQ1, JP125PHN1, JP140PHN1, JP140PHQ1 and JP140PMQ1
3	F200085300	Hot Water and Chemical Caution Decal	Models CP125PHN1, CP125PHQ1, CP140PHN1, CP140PHQ1, CP140PMN1, CP140PMQ1, IP125PHN1, IP125PHQ1, IP140PHN1, IP140PHQ1, IP140PMN1, IP140PMQ1, JP125PHN1, JP140PHN1, JP140PHQ1 and JP140PMQ1
4	F200318200	Cover Decal	
5	F230734	Water Line Caution Decal	Models CP125PHN1, CP125PHQ1, CP140PHN1, CP140PHQ1, CP140PMN1, CP140PMQ1, IP125PHN1, IP125PHQ1, IP140PHN1, IP140PHQ1, IP140PMN1, IP140PMQ1, JP125PHN1, JP140PHN1, JP140PHQ1 and JP140PMQ1
6	F231367	Hot Water Valve Decal	
7	F231368	Cold Water Valve Decal	
8	C000508	Bearing Lubrication Decal	
9	C000506	Supply Signal Decal	Models starting 3/23/04
10	F230917-1	External Supply Connection Decal	Models CP125PHN1, CP125PHQ1, CP140PHN1, CP140PHQ1, CP140PMN1, CP140PMQ1, IP125PHN1, IP125PHQ1, IP140PHN1, IP140PHQ1, IP140PMN1, IP140PMQ1, JP125PHN1, JP140PHN1, JP140PHQ1 and JP140PMQ1

Decals - Models through 8/31/09 (Drawing 2 of 2)



PHM2767PA_C002923

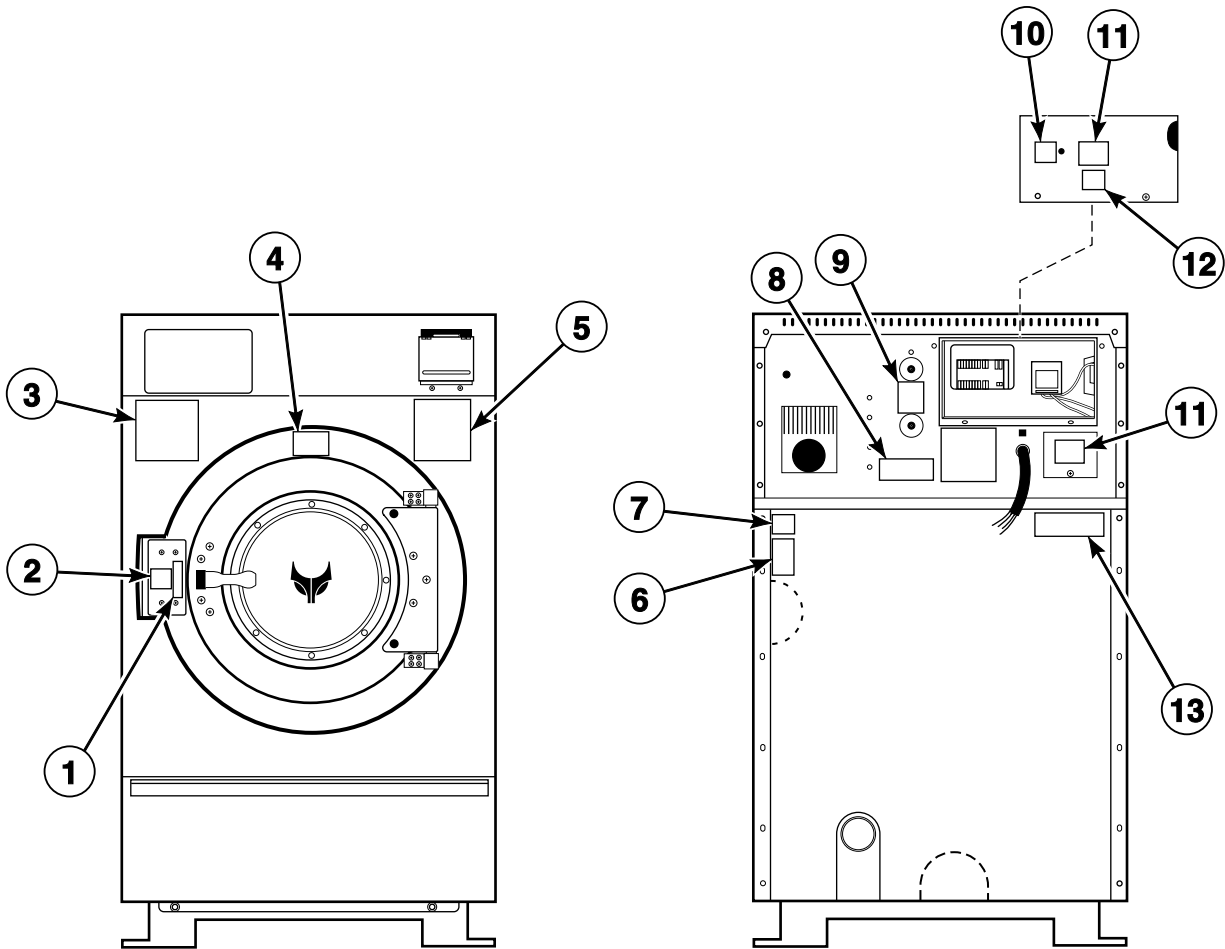
Decals - Models through 8/31/09 (Drawing 2 of 2)

REF	PART NO.	DESCRIPTION	COMMENTS
1	F200318200	Cover Decal	
2	502511	Electrical Shock Label	
3	505281	Disconnect Power Warning Label	Models CP125PHN1, CP125PHQ1, CP140PHN1, CP140PHQ1, CP140PMN1, CP140PMQ1, IP125PHN1, IP125PHQ1, IP140PHN1, IP140PHQ1, IP140PMN1, IP140PMQ1, JP125PHN1, JP140PHN1, JP140PHQ1 and JP140PMQ1
4	500049	Warning Label	Models CP125PHN1, CP125PHQ1, CP140PHN1, CP140PHQ1, CP140PMN1, CP140PMQ1, IP125PHN1, IP125PHQ1, IP140PHN1, IP140PHQ1, IP140PMN1, IP140PMQ1, JP125PHN1, JP140PHN1, JP140PHQ1 and JP140PMQ1
5	N/A	Crush Hazard Warning Decal	Models CPC125H, CPC140H, CPC140M, IPH125H, IPH140H, IPH140M, IPH570 and IPH640
	502506	Pinched Fingers Label	Models CP125PHN1, CP125PHQ1, CP140PHN1, CP140PHQ1, CP140PMN1, CP140PMQ1, IP125PHN1, IP125PHQ1, IP140PHN1, IP140PHQ1, IP140PMN1, IP140PMQ1, JP125PHN1, JP140PHN1, JP140PHQ1 and JP140PMQ1
6	F231380	Hot Surface Warning Decal	
7	C001038	Logo Decal	Models IPH125H, IPH140H, IPH140M, IPH570, IPH640, IP125PHN1, IP125PHQ1, IP140PHN1, IP140PHQ1, IP140PMN1 and IP140PMQ1
8	C000694	Door Release Decal	
9	F230303	Push Decal	Models CP125PHN1, CP125PHQ1, CP140PHN1, CP140PHQ1, CP140PMN1, CP140PMQ1, IP125PHN1, IP125PHQ1, IP140PHN1, IP140PHQ1, IP140PMN1, IP140PMQ1, JP125PHN1, JP140PHN1, JP140PHQ1 and JP140PMQ1

N/A = Part no longer available

Decals - Models starting 9/1/09

Models CP125PHN1, CP125PHN2, CP125PHQ1, CP125PHQ2, CP140PHN1, CP140PHQ1, CP140PMN1, CP140PMQ1, IP125PHN1, IP125PHN2, IP125PHQ1, IP125PHQ2, IP140PHN1, IP140PHQ1, IP140PMN1, IP140PMQ1, JP125PHN1, JP125PHN2, JP140PHN1, JP140PHQ1 and JP140PMQ1



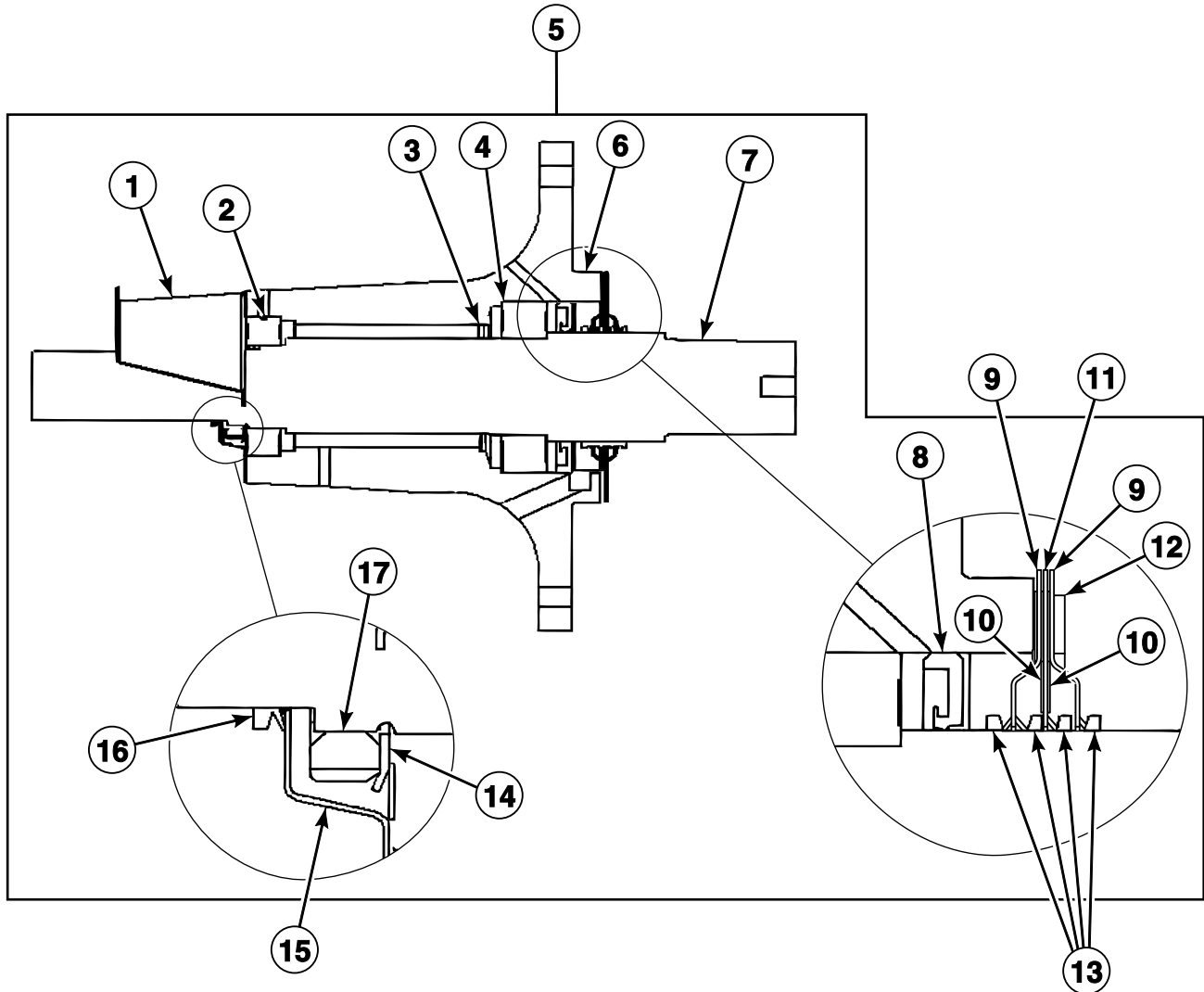
PHM3089P_C002923

Decals - Models starting 9/1/09

REF	PART NO.	DESCRIPTION	COMMENTS
1	C000694	Door Release Decal	
2	F230303	Push Decal	
3	F200085100	Spin Warning Decal	
4	F200085000	Hot Surface Warning Decal	
5	F200085300	Hot Water and Chemical Caution Decal	
6	F8211901	Hot Surface Warning Plate	Steam models only
7	F8246401	Mount on Concrete Warning Label	
8	F200061000	Clean Filter Daily Decal	
9	C000508	Bearing Lubrication Decal	
10	F8150201	External Supply Connection Decal	
11	F8233501	Warning Label	
12	F8115501	Electric Shock Danger Label	
13	44127701	Warning Label	

Bearing Housing Assembly (Drawing 1 of 6)

Models CPC140H and IPH140H
Models Through 3/23/04



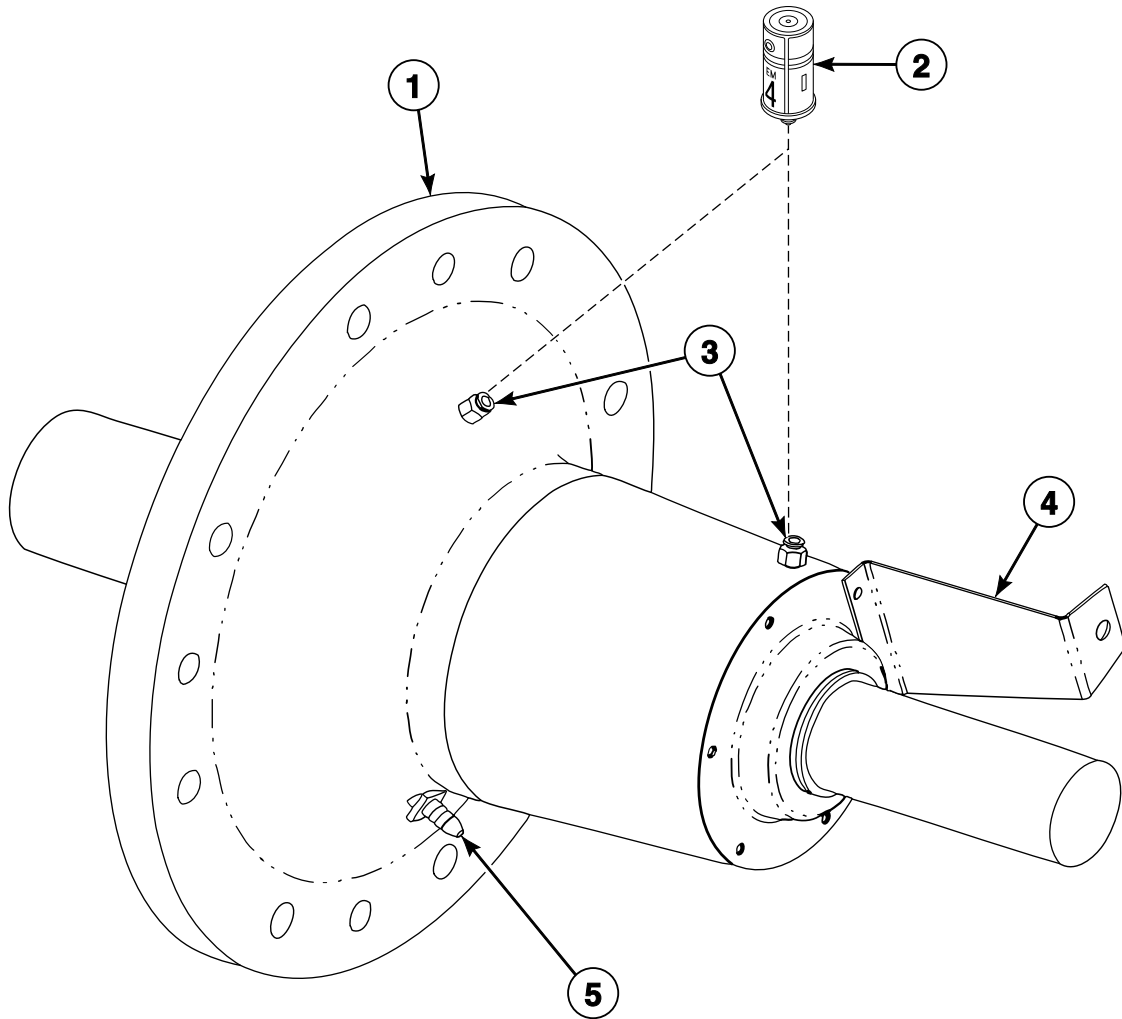
PHM2848P_C002923

Bearing Housing Assembly (Drawing 1 of 6)

REF	PART NO.	DESCRIPTION	COMMENTS
	C001020	Screw	8 required; Bearing housing to frame
	C001021	Washer	8 required; Bearing housing to frame
	F430929	Screw	6 required for rear seal plate to bearing housing; 6 required for front seal plates to bearing housing
	C000571	Washer	6 required for rear seal plate to bearing housing; 6 required for front seal plates to bearing housing
	C002637P	Proximity Switch Assembly	1 required; Proximity switch on bearing housing
	C000552	Hose	1 required; 26 inch; Weep hole fitting to drain line fitting
	36801	Hose Clamp	1 required; Bearing weep hole "TEE"
1	C000969	Proximity Mounting Bracket	
2	F100155	Bearing	
3	C000758	Grease Shield	2 required
4	C000762	Carb Bearing	
5	C000673P	Bearing Housing Assembly	
6	C000672	Bearing Housing	
7	C000674	Cylinder Shaft	
8	C000761	Front Bearing Lip Seal	
9	C000754	Seal Plate	2 required
10	C001706	Seal Plate Gasket	
11	C000755	Seal Plate	
12	C001914	Backup Seal Plate	
13	C000757	V-Ring Seal	4 required
14	C000764	Washer	
15	C000756	Seal Plate	
16	C000765	V-Ring Seal	
17	C000763	Nut	

Bearing Housing Assembly (Drawing 2 of 6)

Models CPC140H and IPH140H
Models Starting 3/23/04



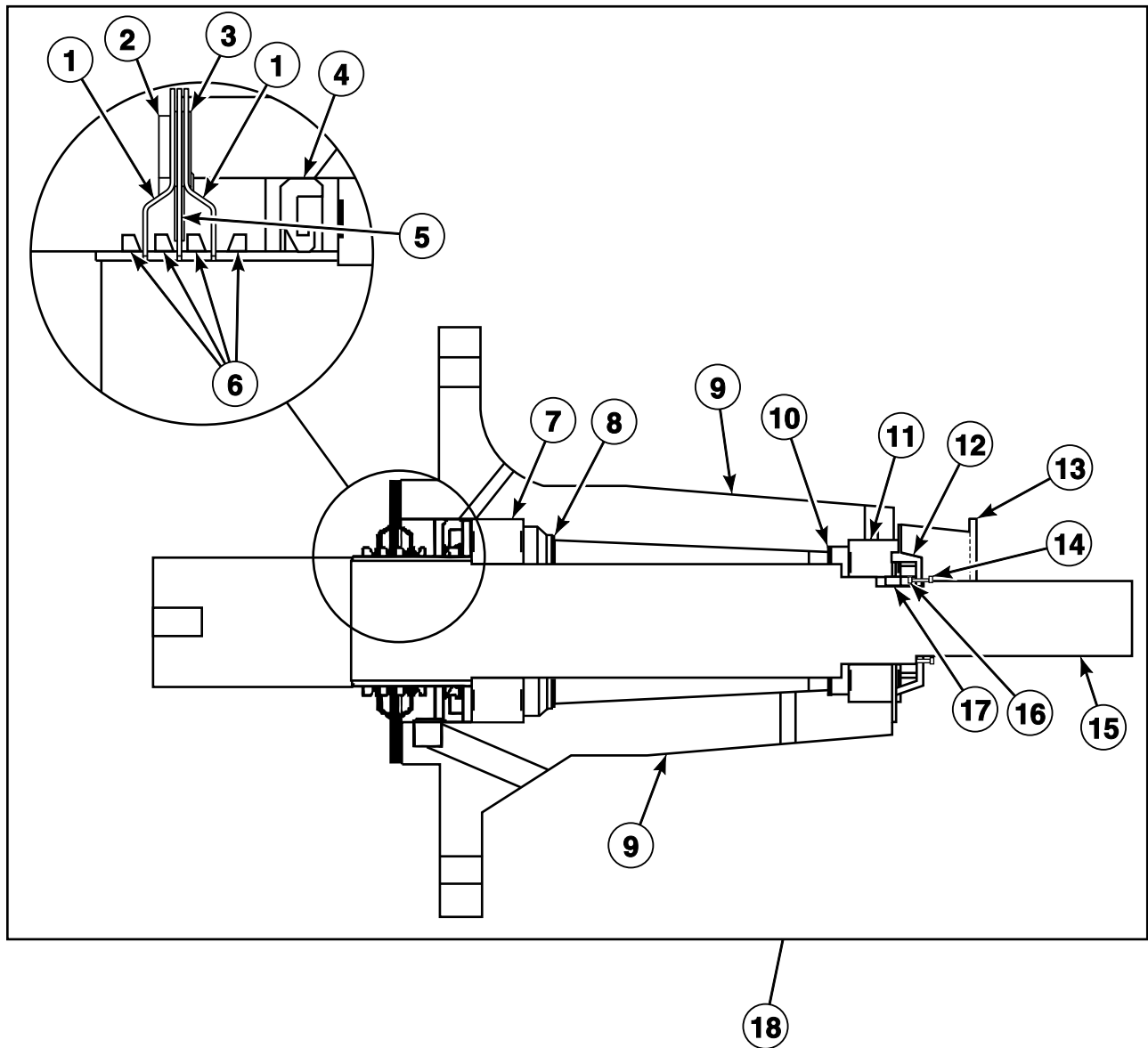
PHM2798P_C002923

Bearing Housing Assembly (Drawing 2 of 6)

REF	PART NO.	DESCRIPTION	COMMENTS
	C001020	Screw	8 required; Bearing housing to frame
	C001021	Washer	8 required; Bearing housing to frame
	F430929	Screw	6 required for rear seal plate to bearing housing; 6 required for front seal plates to bearing housing
	C000571	Washer	6 required for rear seal plate to bearing housing; 6 required for front seal plates to bearing housing
	C002637P	Proximity Switch Assembly	1 required; Proximity switch on bearing housing
	C000552	Hose	1 required; 26 inch; Weep hole fitting to drain line fitting
	C000628P	Tubing	2 required; 33 inch; Lube fittings to bearing housing
	1390P	Bearing Housing Puller Kit	Purchase
	1390-1	Bearing Housing Puller Kit	Rental; Requires C002023 Hardware Kit
	C002023	Hardware Kit	
	36801	Hose Clamp	1 required; Bearing weep hole "TEE"
1	C000673P	Bearing Housing Assembly	Standard seals
	C001946	Bearing Housing Assembly	Viton seals
2	9002071P	Lubricator	
3	J1408004	Connector	2 required
4	C000969	Proximity Mounting Bracket	
5	C001649	Reducing Connector	

Bearing Housing Assembly (Drawing 3 of 6)

Models CPC140M, IPH140M and IPH640
Models Through 3/23/04



PHM2724P_C002923

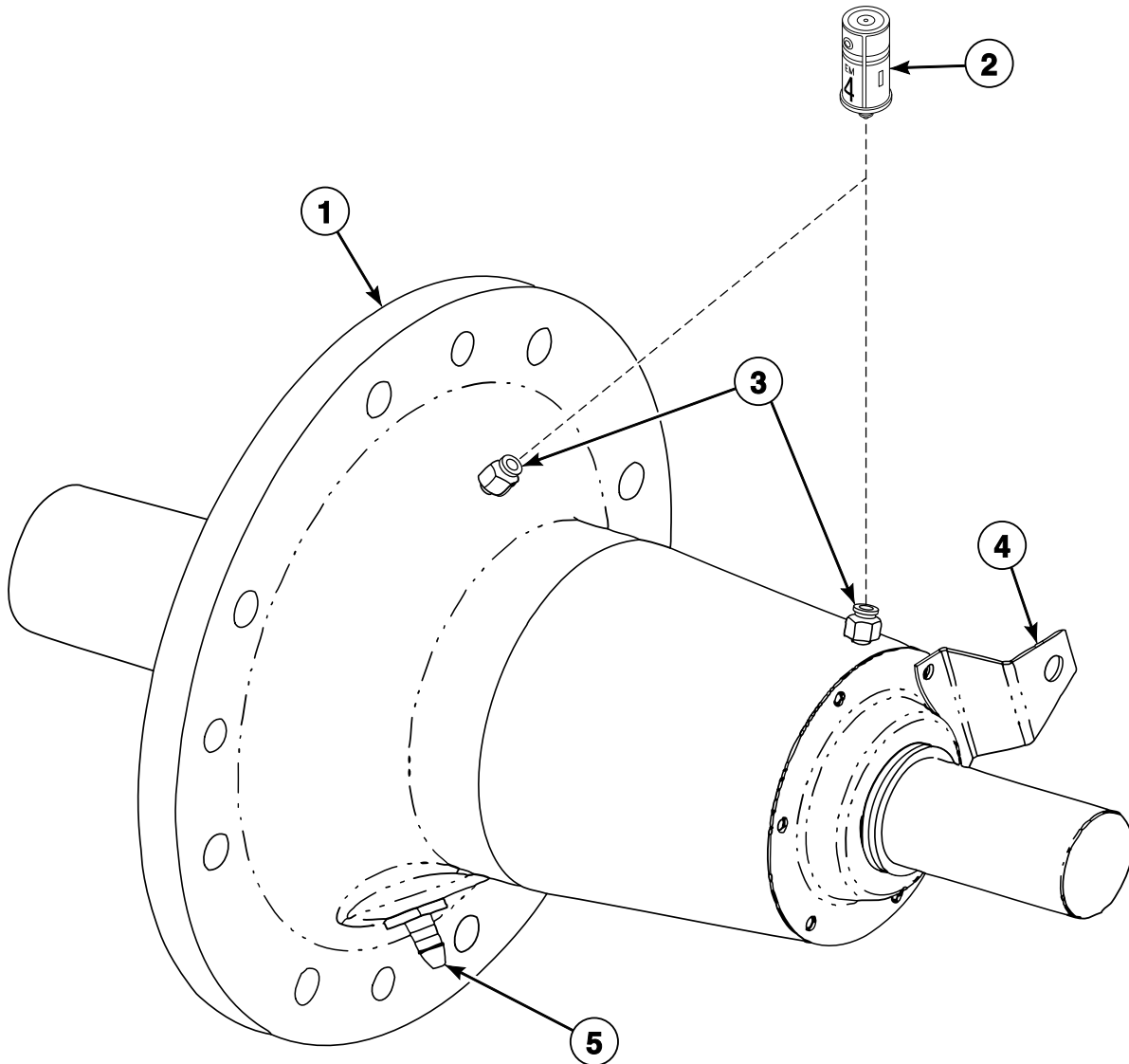
Bearing Housing Assembly (Drawing 3 of 6)

REF	PART NO.	DESCRIPTION	COMMENTS
	C000554	Screw	8 required; Bearing housing to frame
	C000555	Washer	8 required; Bearing housing to frame
	F430929	Screw	6 required for rear seal plate to bearing housing; 6 required for front seal plates to bearing housing
	C000571	Washer	6 required for rear seal plate to bearing housing; 6 required for front seal plates to bearing housing
	C002637P	Proximity Switch Assembly	1 required; Proximity switch on bearing housing
	C000552	Hose	1 required; 26 inch; Weep hole fitting to drain line fitting
	36801	Hose Clamp	1 required; Bearing weep hole "TEE"
1	C000166	Seal Plate	2 required
2	C001915	Plate	
3	C001705	Gasket	
4	C000332	Lip Seal	Front bearing
5	C000165	Seal Plate	
6	C000156	V-Ring Seal	
7	C000163	Carb Bearing	
8	C000167	Grease Shield	Front
9	C000155	Bearing Housing	
10	C000171	Grease Shield	Rear
11	C000164	Roller Bearing	
12	C000158	Seal Plate	
13	C000658	Mounting Bracket	
14	C000070	V-Ring Seal	
15	C000157	Cylinder Shaft	
16	C000159	Nut	
17	C000161	Washer	
18	C000154P	Bearing Housing Assembly	

Bearing Housing Assembly (Drawing 4 of 6)

Models CPC140M, IPH140M and IPH640

Models starting 3/23/04



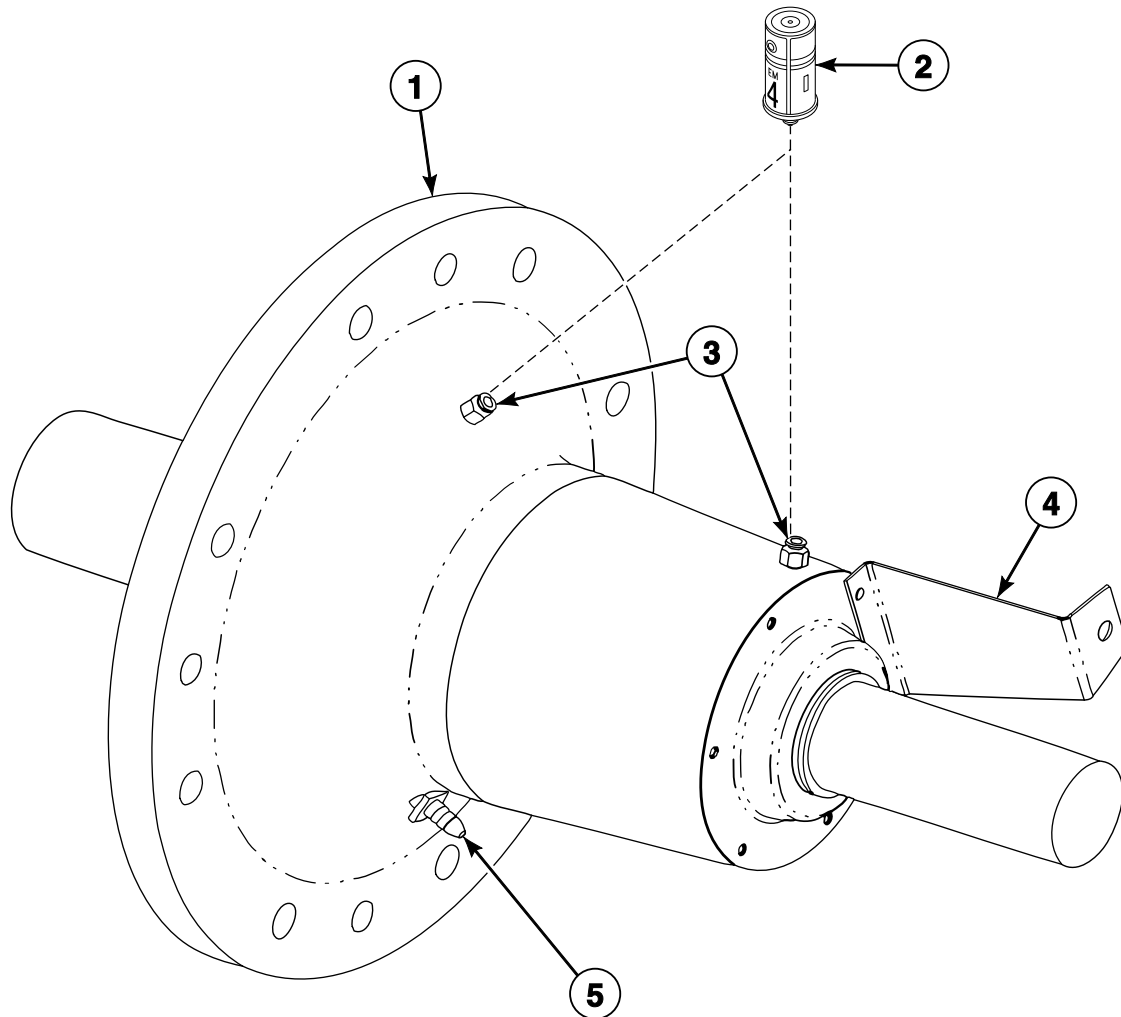
PHM2727P_C002923

Bearing Housing Assembly (Drawing 4 of 6)

REF	PART NO.	DESCRIPTION	COMMENTS
	1390P	Bearing Housing Puller Kit	Purchase
	1390-1	Bearing Housing Puller Kit	Rental; Requires C002023 Hardware Kit
	C002023	Hardware Kit	
	C000554	Screw	8 required; Bearing housing to frame
	C000555	Washer	8 required; Bearing housing to frame
	F430929	Screw	6 required for rear seal plate to bearing housing; 6 required for front seal plates to bearing housing
	C000571	Washer	6 required for rear seal plate to bearing housing; 6 required for front seal plates to bearing housing
	C002637P	Proximity Switch Assembly	1 required; Proximity switch on bearing housing
	C000552	Hose	1 required; 26 inch; Weep hole fitting to drain line fitting
	C000628P	Tubing	2 required; 33 inch; Lube fittings to bearing housing
	C003007	Triple Lip Seal	
	36801	Hose Clamp	1 required; Bearing weep hole "TEE"
1	C000154P	Bearing Housing Assembly	Standard seals
	C001946	Bearing Housing Assembly	Viton seals
2	9002071P	Lubricator	
3	J1408004	Connector	2 required
4	C000658	Mounting Bracket	
5	C001649	Reducing Connector	

Bearing Housing Assembly (Drawing 5 of 6)

Models CP140PHN1, CP140PHQ1, IP140PHN1, IP140PHQ1, JP140PHN1 and JP140PHQ1



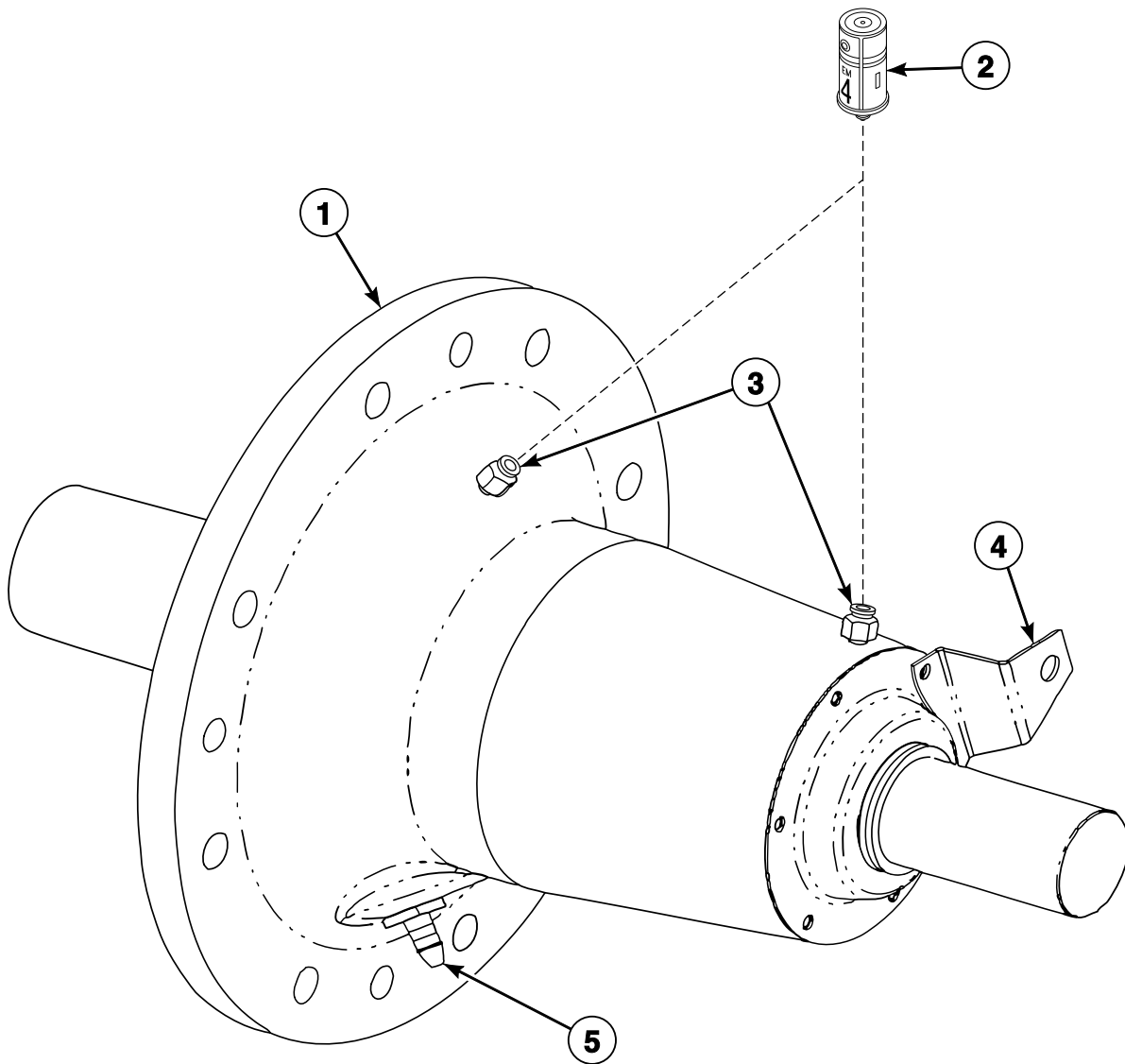
PHM2798P_C002923

Bearing Housing Assembly (Drawing 5 of 6)

REF	PART NO.	DESCRIPTION	COMMENTS
	1390P	Bearing Housing Puller Kit	Purchase
	1390-1	Bearing Housing Puller Kit	Rental; Requires C002023 Hardware Kit
	C002023	Hardware Kit	
	C001020	Screw	8 required; Bearing housing to frame
	C001021	Washer	8 required; Bearing housing to frame
	F430929	Screw	6 required for rear seal plate to bearing housing; 6 required for front seal plates to bearing housing
	C000571	Washer	6 required for rear seal plate to bearing housing; 6 required for front seal plates to bearing housing
	C002637P	Proximity Switch Assembly	1 required; Proximity switch on bearing housing
	C000552	Hose	1 required; 26 inch; Weep hole fitting to drain line fitting
	C000628P	Tubing	2 required; 33 inch; Lube fittings to bearing housing
	36801	Hose Clamp	1 required; Bearing weep hole "TEE"
1	C000673P	Bearing Housing Assembly	Standard seals
	C001946	Bearing Housing Assembly	Viton seals
2	9002071P	Lubricator	
3	J1408004	Connector	2 required
4	C000969	Proximity Mounting Bracket	
5	C001649	Reducing Connector	

Bearing Housing Assembly (Drawing 6 of 6)

Models CPC125H, CP125PHN1, CP125PHN2, CP125PHQ1, CP125PHQ2, CP140PMN1, CP140PMQ1,
IPH125H, IPH570, IP125PHN1, IP125PHN2, IP125PHQ1, IP125PHQ2, IP140PMN1, IP140PMQ1,
JP125PHN1, JP125PHN2 and JP140PMQ1



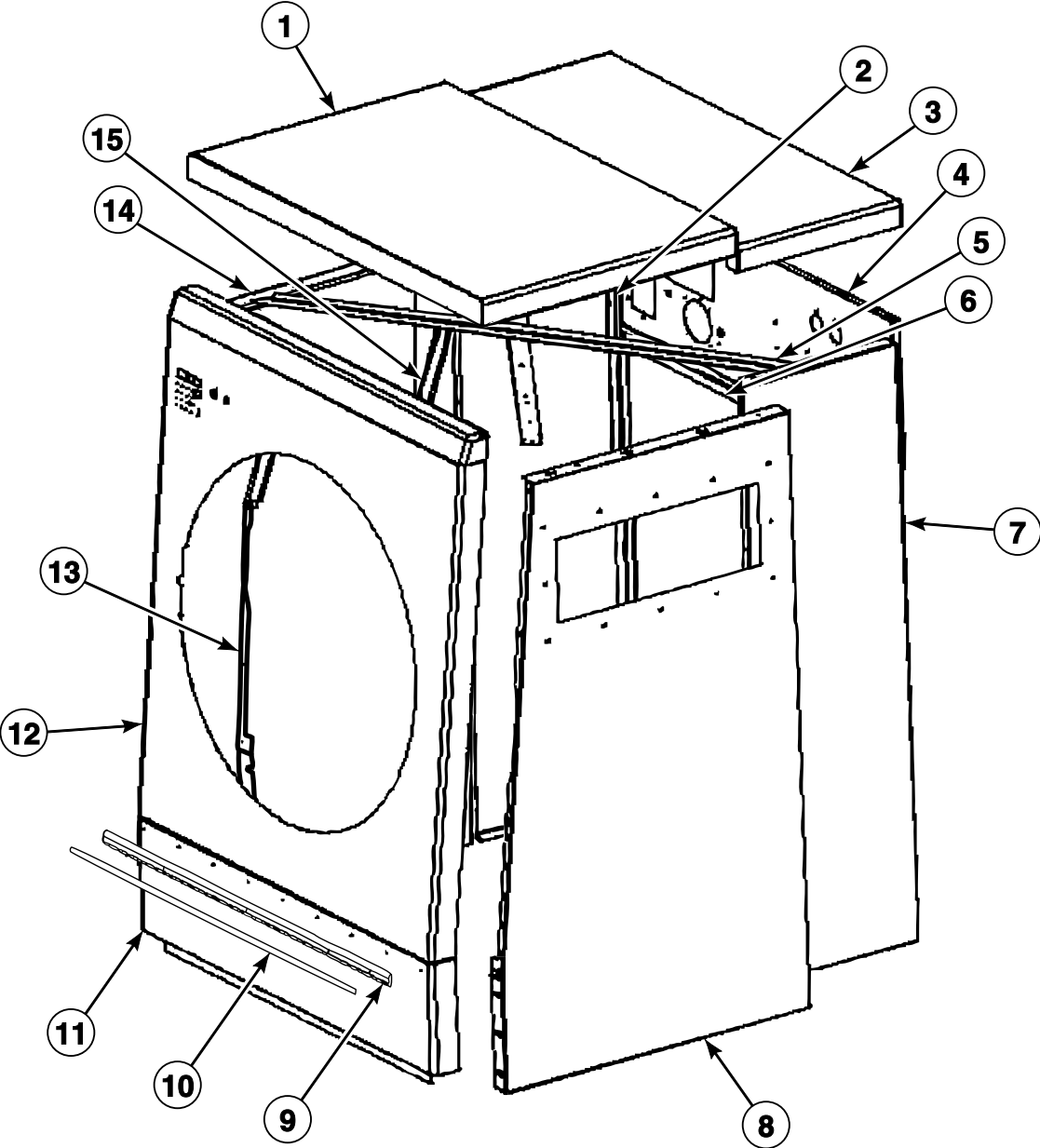
PHM2727P_C002923

Bearing Housing Assembly (Drawing 6 of 6)

REF	PART NO.	DESCRIPTION	COMMENTS
	1390P	Bearing Housing Puller Kit	Purchase
	1390-1	Bearing Housing Puller Kit	Rental; Requires C002023 Hardware Kit
	C002023	Hardware Kit	
	C000554	Screw	8 required; Bearing housing to frame
	C000555	Washer	8 required; Bearing housing to frame
	F430929	Screw	6 required for rear seal plate to bearing housing; 6 required for front seal plates to bearing housing
	C000571	Washer	6 required for rear seal plate to bearing housing; 6 required for front seal plates to bearing housing
	C002637P	Proximity Switch Assembly	1 required; Proximity switch on bearing housing
	C000552	Hose	1 required; 26 inch; Weep hole fitting to drain line fitting
	C000628P	Tubing	2 required; 33 inch; Lube fittings to bearing housing
	C003007	Triple Lip Seal	
	36801	Hose Clamp	1 required; Bearing weep hole "TEE"
1	C000154P	Bearing Housing Assembly	Standard seals
	C001946	Bearing Housing Assembly	Viton seals
2	9002071P	Lubricator	
3	J1408004	Connector	2 required
4	C000658	Mounting Bracket	
5	C001649	Reducing Connector	

Cabinet Assembly (Drawing 1 of 4)

Models CPC140H, CPC140M, IPH140H, IPH140M and IPH640
Models Through 3/23/04



PHM2850P_C002923

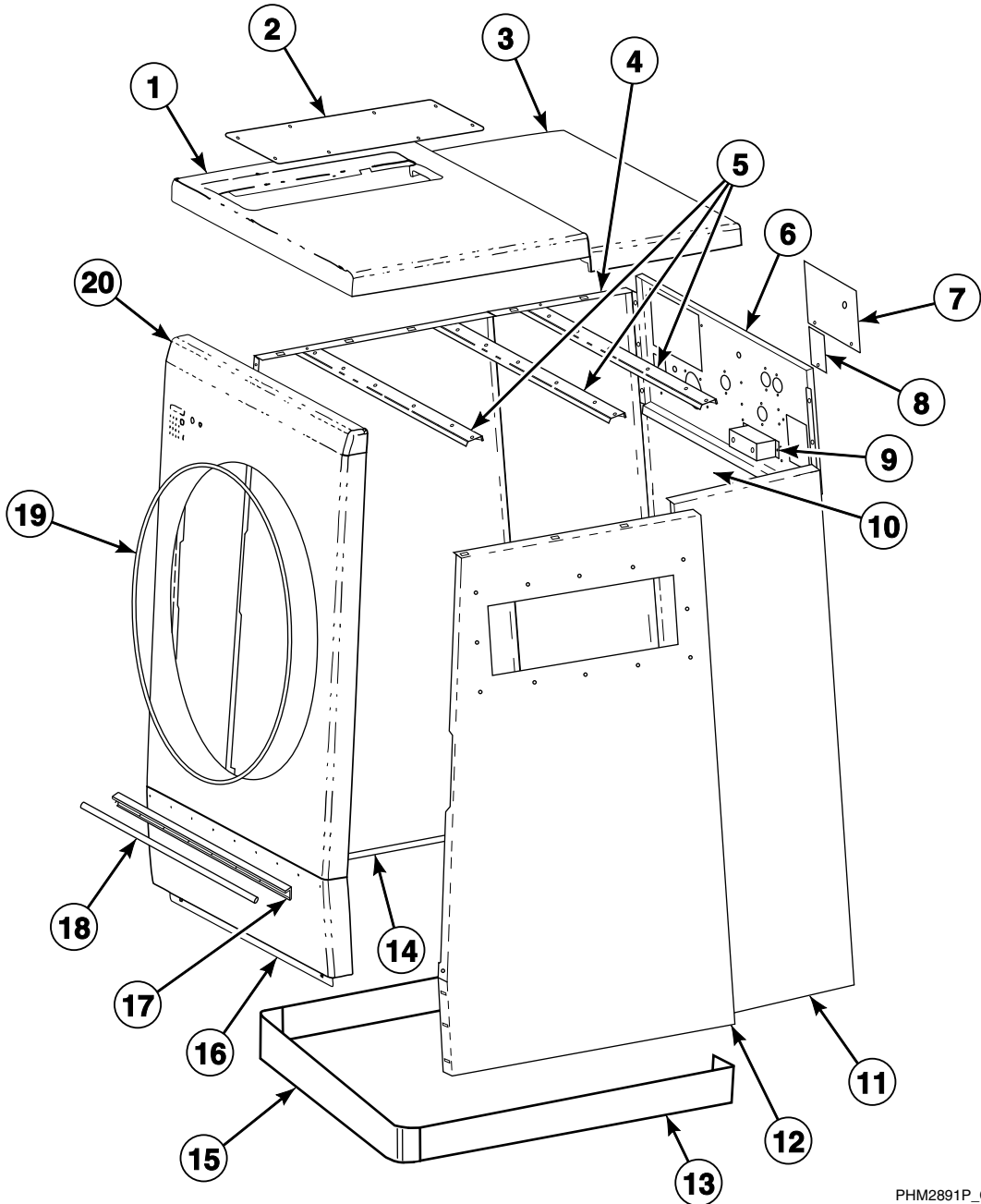
Cabinet Assembly (Drawing 1 of 4)

REF	PART NO.	DESCRIPTION	COMMENTS
	C000539	Grease Connector Box	
	C000567	Screw	2 required for grease box to valve panel; 6 required for valve panel to side panel; 2 required for top panel to valve panel; 12 required for front panel to side panel; 2 required for lower front panel to frame; 6 required for side panel to frame; 4 required for rear cover to side panel; 4 or 5 required for front electrical mounting bracket to side panel
	F431024	Nut	2 required for grease box to valve panel; 6 required for valve panel to side panel; 4 required for front panel to side panel; 4 or 5 required for front electrical mounting bracket to side panel
	N/A	Nut	2 required for top panel to valve panel; 2 required for lower front panel to frame; 6 required for side panel to frame; 2 required for rear electrical cover to valve panel
	C000571	Washer	2 required for top panel to valve panel; 2 required for lower front panel to frame; 6 required for side panel to frame; 4 required for rear cover to side panel
	C000585	Washer	2 required for lower front panel to frame; 6 required for side panel to frame
	F430929	Screw	2 required for rear electrical cover to valve panel; 1 required for inlet power cover to valve panel
	F430910	Screw	6 required for rub rails to lower front panel
	C000568	Nut	6 required for rub rails to lower front panel
1	C002986	Front Top Panel Assembly	
2	C002963	Side Panel Assembly	
3	C000817	Rear Top Panel	
4	C002983	Valve Panel Assembly	
5	C000876	Top Brace	2 required
6	C000818	Rear Panel	
7	C002962	Side Panel Assembly	
8	C002717	Side Panel and Stiffener Assembly	
9	C001014	Rub Rail	Vinyl
10	C001015	Insert Rail	
11	C000819	Lower Front Panel	
12	C002973	Front Panel Assembly	
13	C002718	Side Panel and Stiffener Assembly	
14	C000875	Control Box Cover	
15	C000874	Control Mounting Bracket	2 required

N/A = Part no longer available

Cabinet Assembly (Drawing 2 of 4)

Models CPC140H, CPC140M, IPH140H, IPH140M and IPH640
Models Starting 3/23/04 and Continuing Through 7/1/06



PHM2891P_C002923

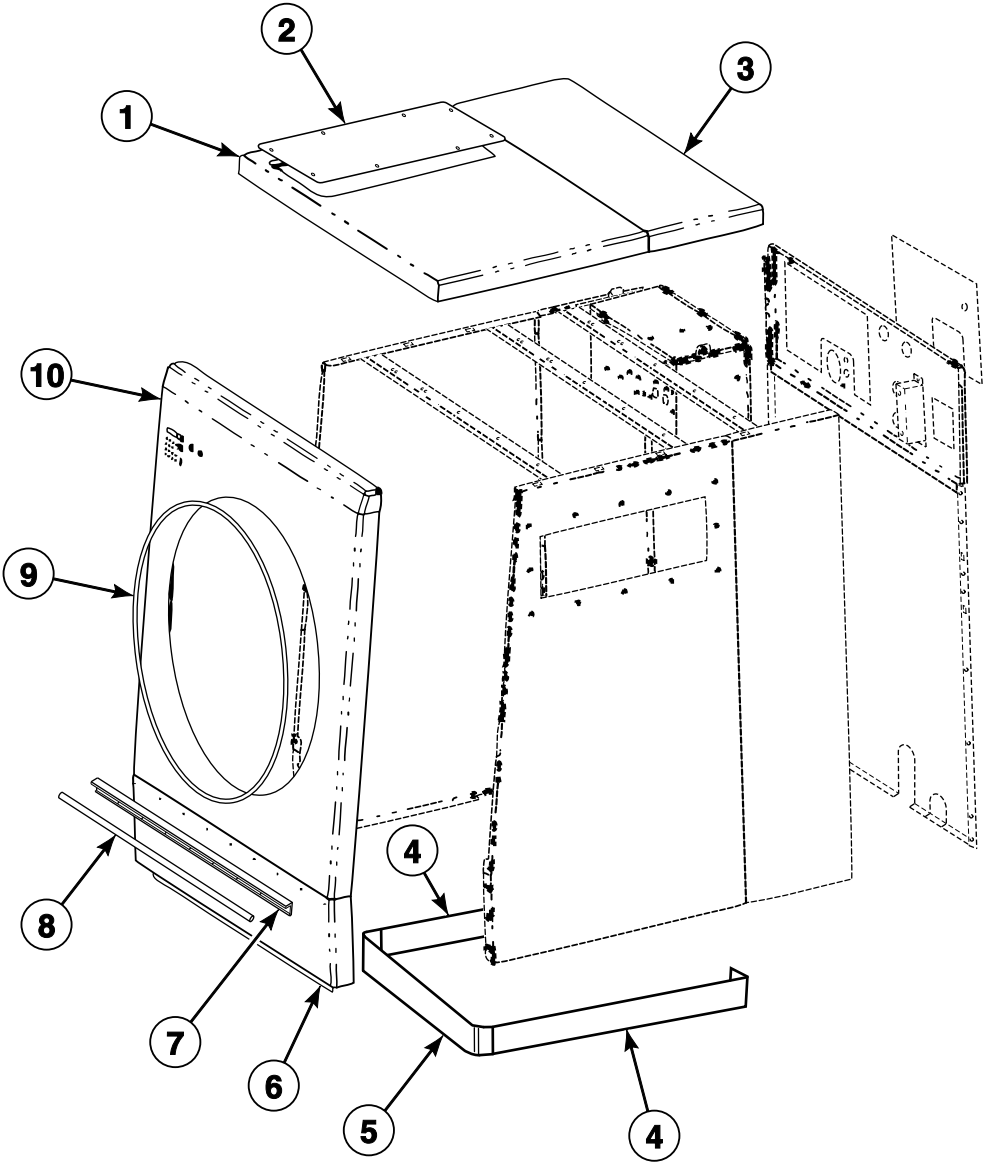
Cabinet Assembly (Drawing 2 of 4)

REF	PART NO.	DESCRIPTION	COMMENTS
	C000567	Screw	6 required for valve panel to side panel; 2 required for top panel to valve panel; 12 required for front panel to side panel; 2 required for lower front panel to frame; 6 required for side panel to frame; 4 required for rear cover to side panel; 4 or 5 required for front electrical mounting bracket to side panel
	F431024	Nut	6 required for valve panel to side panel; 4 required for front panel to side panel; 4 or 5 required for front electrical mounting bracket to side panel
	N/A	Nut	2 required for top panel to valve panel; 2 required for lower front panel to frame; 6 required for side panel to frame; 2 required for rear electrical cover to valve panel
	C000571	Washer	2 required for top panel to valve panel; 2 required for lower front panel to frame; 6 required for side panel to frame; 4 required for rear cover to side panel
	C000585	Washer	2 required for lower front panel to frame; 6 required for side panel to frame
	F430929	Screw	2 required for rear electrical cover to valve panel; 1 required for inlet power cover to valve panel
	F430910	Screw	6 required for rub rails to lower front panel
	C000568	Nut	6 required for rub rails to lower front panel
1	C002986	Front Top Panel Assembly	
2	C002017	Top Panel Access Cover	
3	C000817	Rear Top Panel	
4	C002963	Side Panel Assembly	
5	C002018	Cabinet Stiffener	3 required
6	C000816	Valve Panel	
7	C000173	Rear Electrical Enclosure Cover	
8	N/A	Inlet Power Cover	
9	C000539	Grease Connector Box	
10	C000818	Rear Panel	
11	C002962	Side Panel Assembly	
12	C002717	Side Panel and Stiffener Assembly	
13	N/A	Side Skirt Panel	2 required
14	C002718	Side Panel and Stiffener Assembly	
15	C000316	Front Skirt Panel	
16	C000819	Lower Front Panel	
17	C001014	Rub Rail	Vinyl
18	C001015	Insert Rail	
19	C000629	Trim Gasket	
20	C002973	Front Panel Assembly	

N/A = Part no longer available

Cabinet Assembly (Drawing 3 of 4)

Models Starting 7/1/06



PHM2890P_C002923

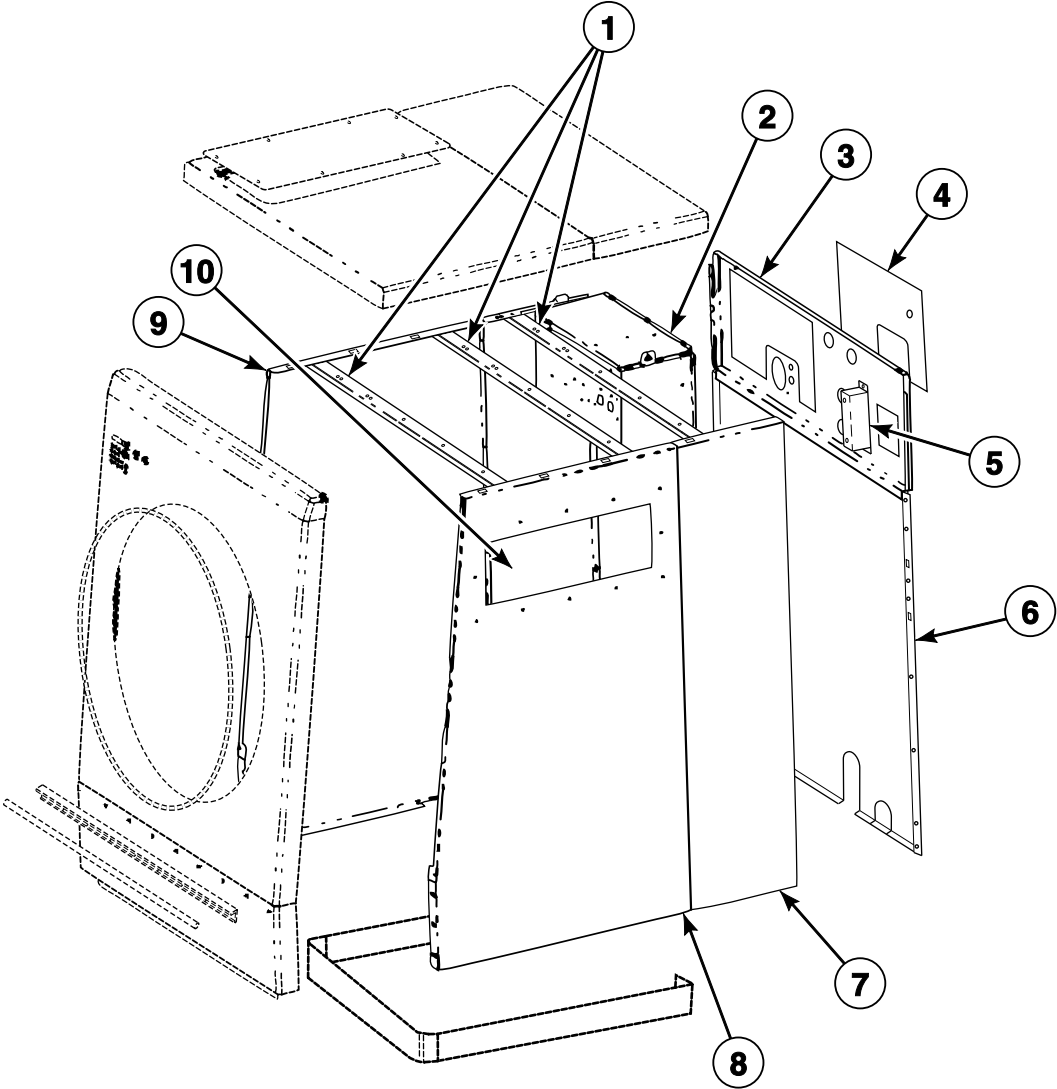
Cabinet Assembly (Drawing 3 of 4)

REF	PART NO.	DESCRIPTION	COMMENTS
	C000567	Screw	2 required for top panel to valve panel; 12 required for front panel to side panel; 2 required for lower front panel to frame; 4 or 5 required for front electrical mounting bracket to side panel
	F431024	Nut	4 required for front panel to side panel; 4 or 5 required for front electrical mounting bracket to side panel
	N/A	Nut	2 required for top panel to valve panel; 2 required for lower front panel to frame
	C000571	Washer	2 required for top panel to valve panel; 2 required for lower front panel to frame
	C000585	Washer	2 required for lower front panel to frame
	F430910	Screw	6 required for rub rails to lower front panel
	C000568	Nut	6 required for rub rails to lower front panel
1	C002986	Front Top Panel Assembly	
2	C002017	Top Panel Access Cover	
3	C000817	Rear Top Panel	Models CPC140H, CPC140M, CP140PHN1, CP140PHQ1, CP140PMN1, CP140PMQ1, IPH140H, IPH140M, IPH640, IP140PHN1, IP140PHQ1, IP140PMN1, IP140PMQ1, JP140PHN1, JP140PHQ1 and JP140PMQ1
	C002298	Rear Top Panel	Models CPC125H, CP125PHN1, CP125PHN2, CP125PHQ1, CP125PHQ2, IPH125H, IPH570, IP125PHN1, IP125PHN2, IP125PHQ1, IP125PHQ2, JP125PHN1 and JP125PHN2
4	N/A	Side Skirt Panel	
5	C000316	Front Skirt Panel	
6	C000819	Lower Front Panel	Models CPC140H, CPC140M, CP140PHN1, CP140PHQ1, CP140PMN1, CP140PMQ1, IPH140H, IPH140M, IPH640, IP140PHN1, IP140PHQ1, IP140PMN1, IP140PMQ1, JP140PHN1, JP140PHQ1 and JP140PMQ1; Models through 6/30/09
	C002912	Lower Front Panel	Models CPC125H, CP125PHN1, CP125PHQ1, IPH125H, IPH570, IP125PHN1, IP125PHQ1 and JP125PHN1; Models through 6/30/09
	C003081	Lower Front Panel	Models starting 7/1/09
7	C001014	Rub Rail	Vinyl
8	C001015	Insert Rail	
9	C000629	Trim Gasket	
10	C002972	Front Panel Assembly	Models CPC125H, CP125PHN1, CP125PHQ1, IPH125H, IPH570, IP125PHN1, IP125PHQ1 and JP125PHN1
	C002973	Front Panel Assembly	Models CPC140H, CPC140M, CP140PHN1, CP140PHQ1, CP140PMN1, CP140PMQ1, IPH140H, IPH140M, IPH640, IP140PHN1, IP140PHQ1, IP140PMN1, IP140PMQ1, JP140PHN1, JP140PHQ1 and JP140PMQ1

N/A = Part no longer available

Cabinet Assembly (Drawing 4 of 4)

Models Starting 7/1/06



PHM2890PA_C002923

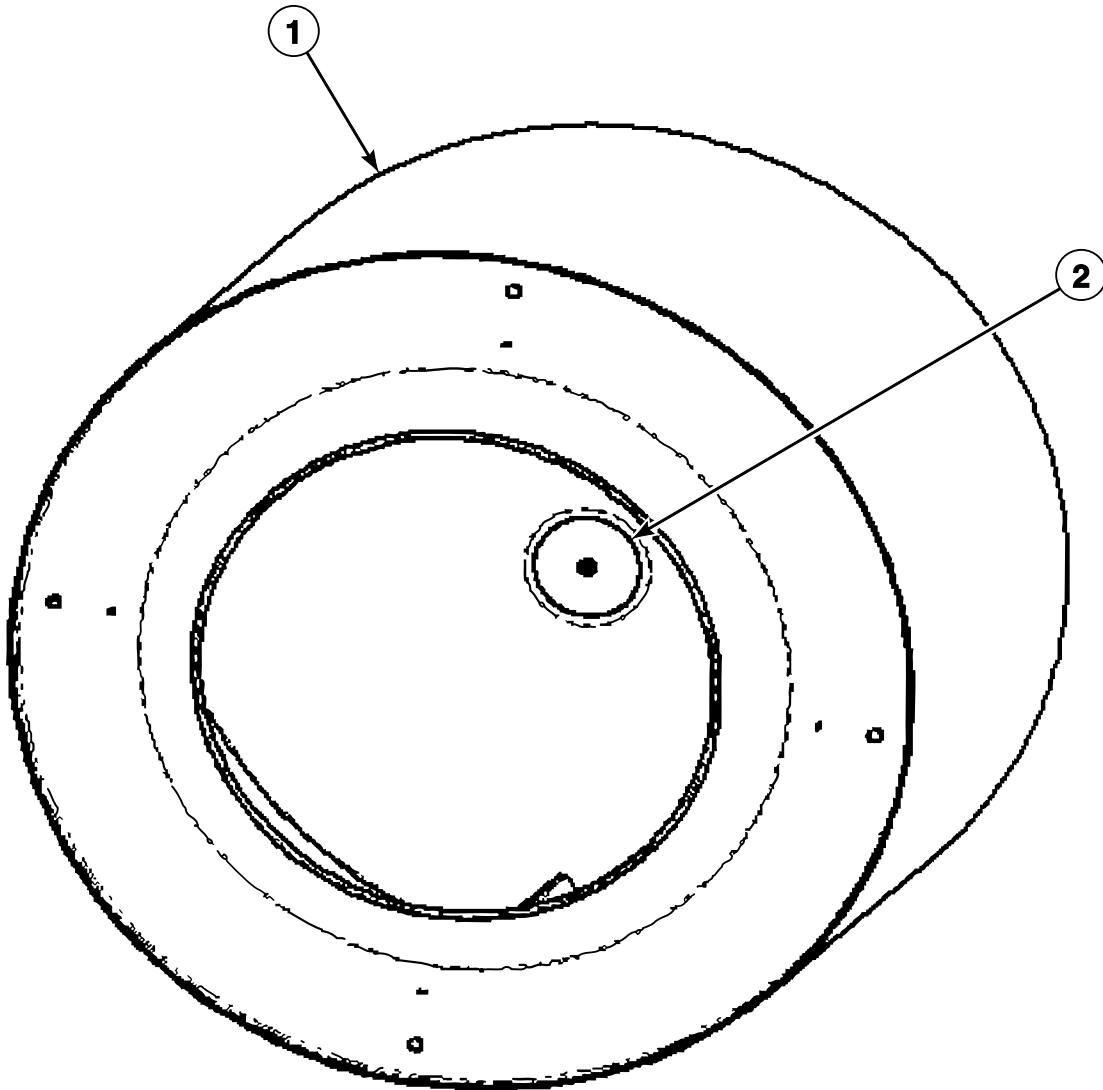
Cabinet Assembly (Drawing 4 of 4)

REF	PART NO.	DESCRIPTION	COMMENTS
	C000567	Screw	6 required for valve panel to side panel; 2 required for top panel to valve panel; 12 required for front panel to side panel; 6 required for side panel to frame; 4 required for rear cover to side panel; 4 or 5 required for front electrical mounting bracket to side panel
	F431024	Nut	6 required for valve panel to side panel; 4 required for front panel to side panel; 4 or 5 required for front electrical mounting bracket to side panel
	N/A	Nut	2 required for top panel to valve panel; 6 required for side panel to frame; 2 required for rear electrical cover to valve panel
	C000571	Washer	2 required for top panel to valve panel; 6 required for side panel to frame; 4 required for rear cover to side panel
	C000585	Washer	6 required for side panel to frame
	F430929	Screw	2 required for rear electrical cover to valve panel; 1 required for inlet power cover to valve panel
1	C002018	Cabinet Stiffener	3 required
2	C002524	Drive Box Assembly	Models CPC125H, CP125PHN1, CP125PHN2, CP125PHQ1, CP125PHQ2, IPH125H, IPH570, IP125PHN1, IP125PHN2, IP125PHQ1, IP125PHQ2, JP125PHN1 and JP125PHN2
3	C002983	Valve Panel Assembly	
4	C002527	Drive and Power Enclosure Cover	
5	C000539	Grease Connector Box	
6	C000818	Rear Panel	
7	C002960	Left Rear Side Panel Assembly	Models CPC125H, CP125PHN1, CP125PHN2, CP125PHQ1, CP125PHQ2, IPH125H, IPH570, IP125PHN1, IP125PHN2, IP125PHQ1, IP125PHQ2, JP125PHN1 and JP125PHN2
	C002962	Side Panel Assembly	Left rear; Models CPC140H, CPC140M, CP140PHN1, CP140PHQ1, CP140PMN1, CP140PMQ1, IPH140H, IPH140M, IPH640, IP140PHN1, IP140PHQ1, IP140PMN1, IP140PMQ1, JP140PHN1, JP140PHQ1 and JP140PMQ1
8	C002717	Side Panel and Stiffener Assembly	
9	C002718	Side Panel and Stiffener Assembly	
10	C002961	Right Rear Side Panel Assembly	Models CPC125H, CP125PHN1, CP125PHN2, CP125PHQ1, CP125PHQ2, IPH125H, IPH570, IP125PHN1, IP125PHN2, IP125PHQ1, IP125PHQ2, JP125PHN1 and JP125PHN2
	C002963	Side Panel Assembly	Right rear; Models CPC140H, CPC140M, CP140PHN1, CP140PHQ1, CP140PMN1, CP140PMQ1, IPH140H, IPH140M, IPH640, IP140PHN1, IP140PHQ1, IP140PMN1, IP140PMQ1, JP140PHN1, JP140PHQ1 and JP140PMQ1

N/A = Part no longer available

Cylinder Assembly (Drawing 1 of 2)

Models CPC140H, CPC140M, IPH140H, IPH140M and IPH640
Models Through 3/23/04



PHM2882P_C002923

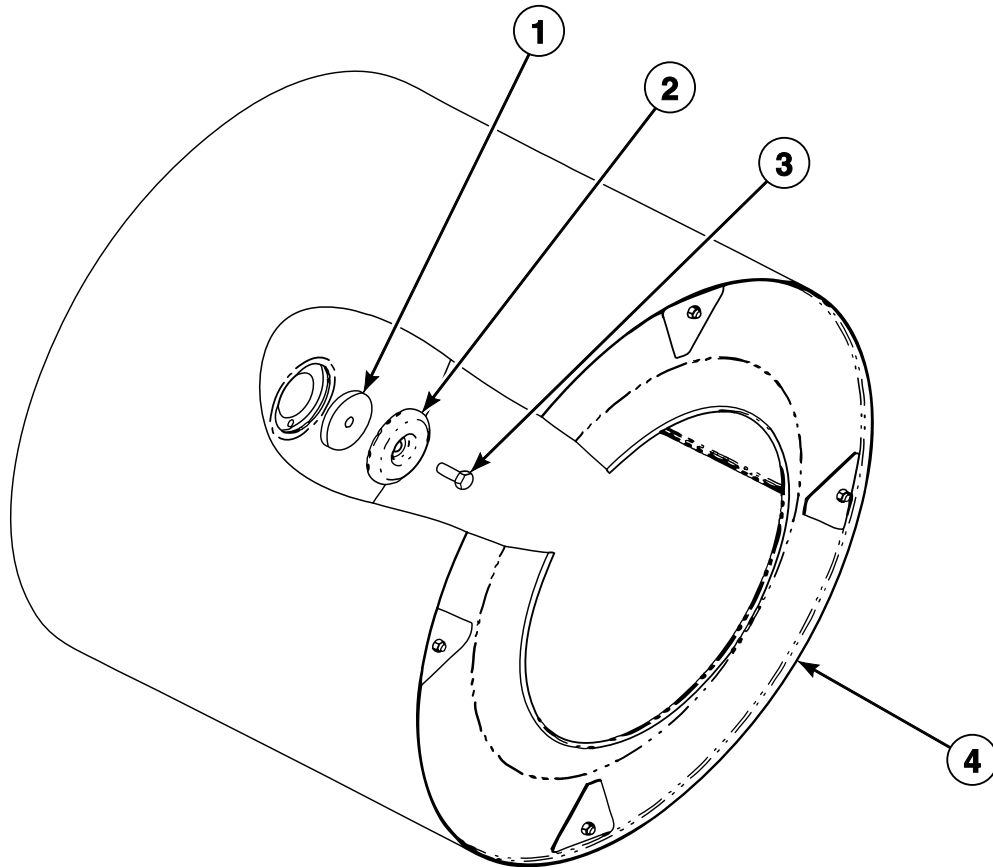
Cylinder Assembly (Drawing 1 of 2)

REF	PART NO.	DESCRIPTION	COMMENTS
1	C000785P	Cylinder Assembly Kit	Models CPC140H and IPH140H
	C000883P	Cylinder Assembly Kit	Models CPC140M, IPH140M and IPH640
2	N/A	Washer	

N/A = Part no longer available

Cylinder Assembly (Drawing 2 of 2)

Models Starting 3/23/04

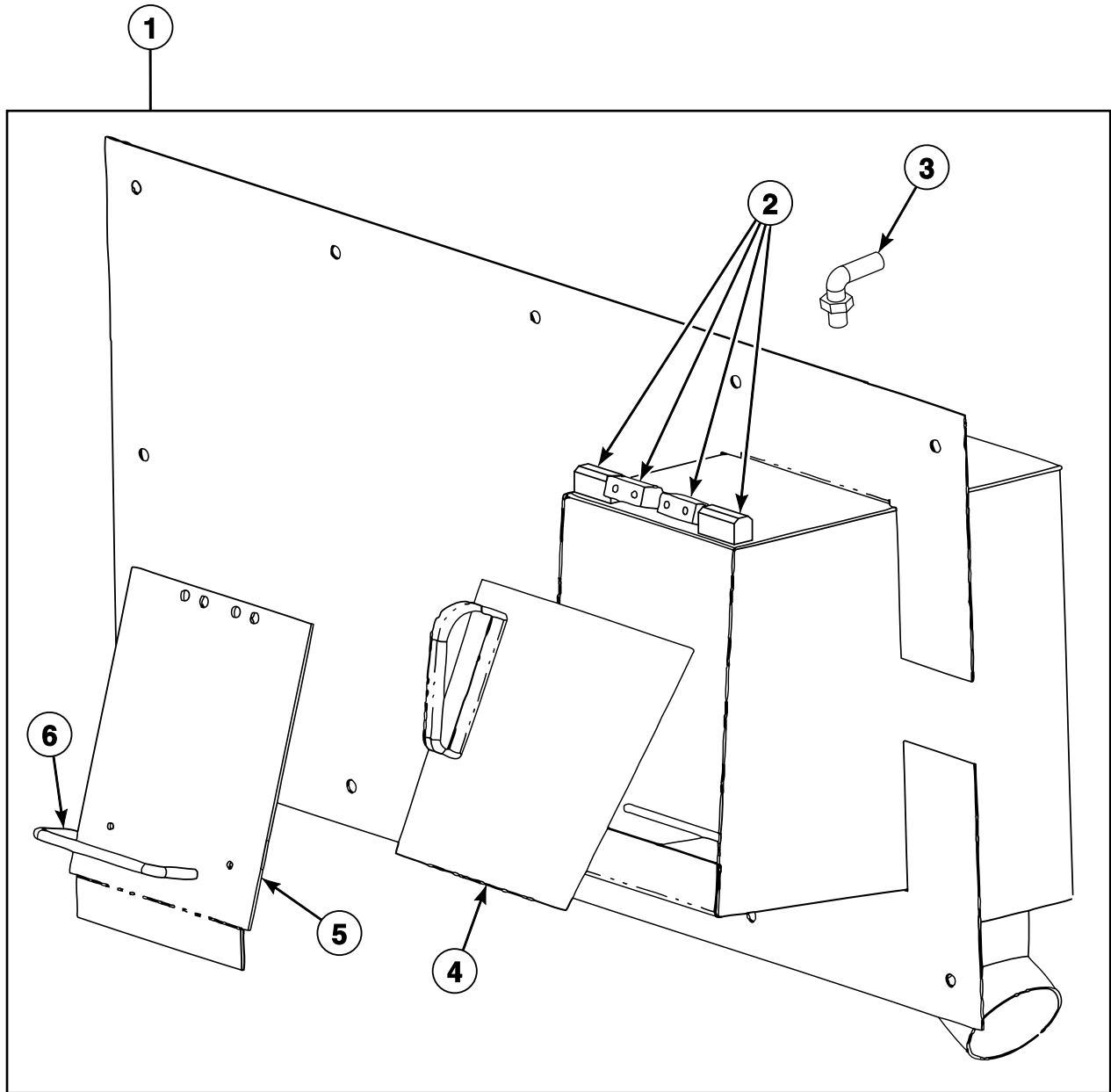


PHM2800P_C002923

Cylinder Assembly (Drawing 2 of 2)

REF	PART NO.	DESCRIPTION	COMMENTS
1	C001239	Washer	
2	C001238	Cylinder Bolt Shroud	
3	C001093	Screw	Models CPC140H and IPH140H starting 3/23/04 through 7/1/06; Models CPC125H, CPC140M, CP125PHN1, CP125PHN2, CP125PHQ1, CP125PHQ2, CP140PMN1, CP140PMQ1, IPH125H, IPH140M, IPH570, IPH640, IP125PHN1, IP125PHN2, IP125PHQ1, IP125PHQ2, IP140PMN1, IP140PMQ1, JP125PHN1, JP125PHN2 and JP140PMQ1
	C001294	Screw	Models CPC140H, CP140PHN1, CP140PHQ1, IPH140H, IP140PHN1, IP140PHQ1, JP140PHN1 and JP140PHQ1 starting 7/1/06
4	C002307P	Cylinder Assembly Kit	Models CPC125H, CP125PHN1, CP125PHN2, CP125PHQ1, CP125PHQ2, IPH125H, IPH570, IP125PHN1, IP125PHN2, IP125PHQ1, IP125PHQ2, JP125PHN1 and JP125PHN2
	C000785P	Cylinder Assembly Kit	Models CPC140H, CP140PHN1, CP140PHQ1, IPH140H, IP140PHN1, IP140PHQ1, JP140PHN1 and JP140PHQ1
	C000883P	Cylinder Assembly Kit	Models CPC140M, CP140PMN1, CP140PMQ1, IPH140M, IPH640, IP140PMN1, IP140PMQ1 and JP140PMQ1

Single Cup Dispenser Assembly



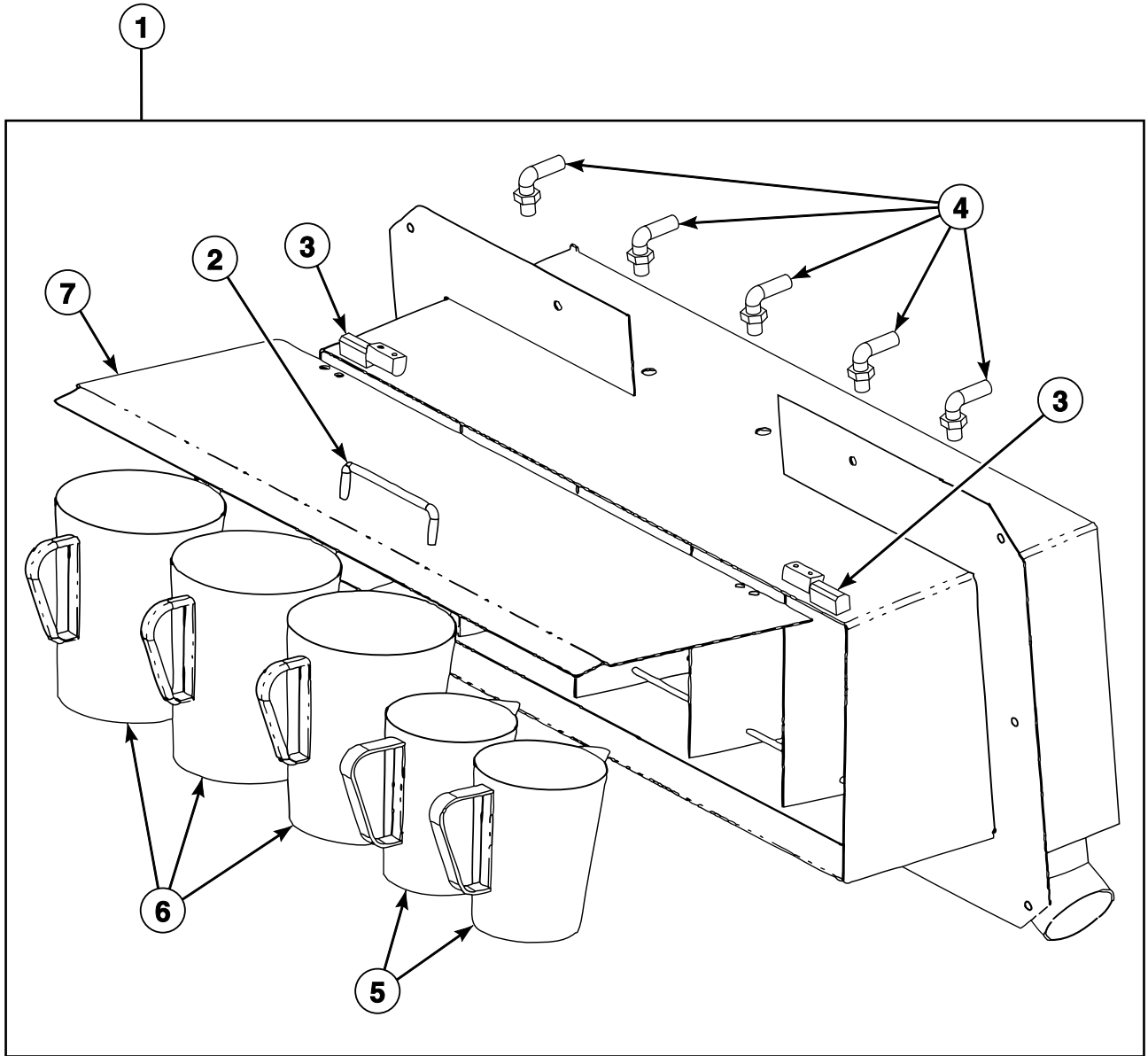
PHM2732P_C002923

Single Cup Dispenser Assembly

REF	PART NO.	DESCRIPTION	COMMENTS
	C001148	Screw	Models starting 3/23/04; 4 required for hinges to cover; 4 required for hinges to control panel
	F430920	Screw	Models CPC140H, CPC140M, CP140PHN1, CP140PHQ1, CP140PMN1, CP140PMQ1, IPH140H, IPH140M, IPH640, IP140PHN1, IP140PHQ1, IP140PMN1, IP140PMQ1, JP140PHQ1 and JP140PMQ1; 4 required for hinges to cover for models through 3/23/04; 4 required for hinges to control panel for models through 3/23/04; 2 required for dispenser cover to handle for models starting 3/23/04
	F430909	Screw	2 required for dispenser cover to handle; Models through 3/23/04
	F430925	Screw	2 required for dispenser to control panel for all models; 12 required for side dispenser to side panel for 125 and 570 models
	N/A	Nut	2 required for dispenser to control panel
	C000552	Hose	Flush hose for supply dispenser; Models CPC140H, CPC140M, CP140PHN1, CP140PHQ1, CP140PMN1, CP140PMQ1, IPH140H, IPH140M, IPH640, IP140PHN1, IP140PHQ1, IP140PMN1, IP140PMQ1, JP140PHN1, JP140PHQ1 and JP140PMQ1
	C000628P	Tubing	Flush hose for supply dispenser; Models CPC125H, CP125PHN1, CP125PHN2, CP125PHQ1, CP125PHQ2, IPH125H, IPH570, IP125PHN1, IP125PHN2, IP125PHQ1, IP125PHQ2, JP125PHN1 and JP125PHN2
	F200201	Hose Clamp	2 required for dispenser hose
1	C000853	Single Side Dispenser Assembly	Models through 3/23/04
	C001582	Single Side Dispenser Assembly	Models starting 3/23/04
2	N/A	Hinge	2 required; 2-part; Models through 3/23/04
	C001787	Hinge	2 required; 2-part; Models starting 3/23/04
3	C000073	Supply Dispenser Nozzle	
4	C000646	Supply Cup	
5	C000855	Single Side Dispenser Door	
6	C001788	Dispenser Door Handle	

N/A = Part no longer available

5 Cup Dispenser Assembly



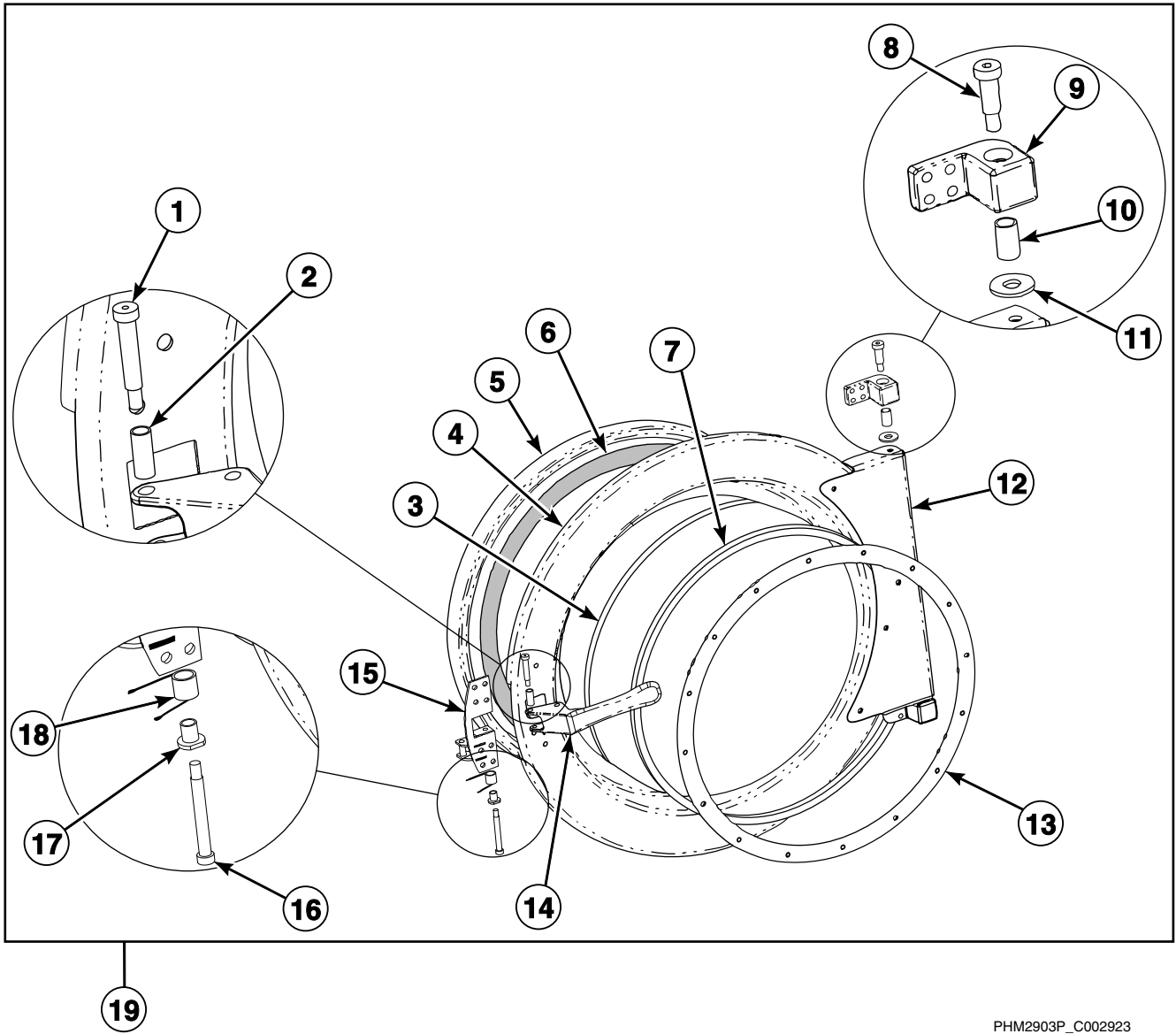
PHM2733P_C002923

5 Cup Dispenser Assembly

REF	PART NO.	DESCRIPTION	COMMENTS
	C001148	Screw	Models starting 3/23/04; 4 required for hinges to cover; 4 required for hinges to control panel
	F430920	Screw	Models CPC140H, CPC140M, CP140PHN1, CP140PHQ1, CP140PMN1, CP140PMQ1, IPH140H, IPH140M, IPH640, IP140PHN1, IP140PHQ1, IP140PMN1, IP140PMQ1, JP140PHN1, JP140PHQ1 and JP140PMQ1; 4 required for hinges to cover for models through 3/23/04; 4 required for hinges to control panel for models through 3/23/04; 2 required for dispenser cover to handle for models starting 3/23/04
	F430909	Screw	2 required for dispenser cover to handle; Models CPC140H, CPC140M, CP140PHN1, CP140PHQ1, CP140PMN1, CP140PMQ1, IPH140H, IPH140M, IPH640, IP140PHN1, IP140PHQ1, IP140PMN1, IP140PMQ1, JP140PHQ1 and JP140PMQ1 through 3/23/04
	F430925	Screw	2 required for dispenser to control panel for all models; 12 required for side dispenser to side panel for 125 and 570 models
	N/A	Nut	2 required for dispenser to control panel
	36801	Hose Clamp	7 required for supply dispenser
	C001004	Spring Hose Clamp	5 required for supply dispenser
	F200201	Hose Clamp	2 required for dispenser hose
	C000552	Hose	Flush hose; Models CPC140H, CPC140M, CP140PHN1, CP140PHQ1, CP140PMN1, CP140PMQ1, IPH140H, IPH140M, IPH640, IP140PHN1, IP140PHQ1, IP140PMN1, IP140PMQ1, JP140PHN1, JP140PHQ1 and JP140PMQ1 use 22 inches for supply cup 1, 28 inches for supply cup 2, 33 inches for supply cup 3, 38 inches for supply cup 4, 42 inches for supply cup 5; Models CPC125H, CP125PHN1, CP125PHN2, CP125PHQ1, CP125PHQ2, IPH125H, IPH570, IP125PHN1, IP125PHN2, IP125PHQ1, IP125PHQ2, JP125PHN1 and JP125PHN2 use 16 inches for supply cup 1, 20 inches for supply cup 2, 26 inches for supply cup 3, 32 inches for supply cup 4, 35 inches for supply cup 5
1	C001583	Side Dispenser Assembly	Models starting 3/23/04
	C000648	Side Dispenser Assembly	Models through 3/23/04
2	C001788	Dispenser Door Handle	
3	C001787	Hinge	2 required; 2-part; Models starting 3/24/04
	N/A	Hinge	2 required; 2-part; Models through 3/24/04
4	C000073	Supply Dispenser Nozzle	5 required
5	C000647	Supply Cup	2 required
6	C000646	Supply Cup	3 required
7	C000642	Side Dispenser Door	

N/A = Part no longer available

Door Assembly - Models through 2/9/09



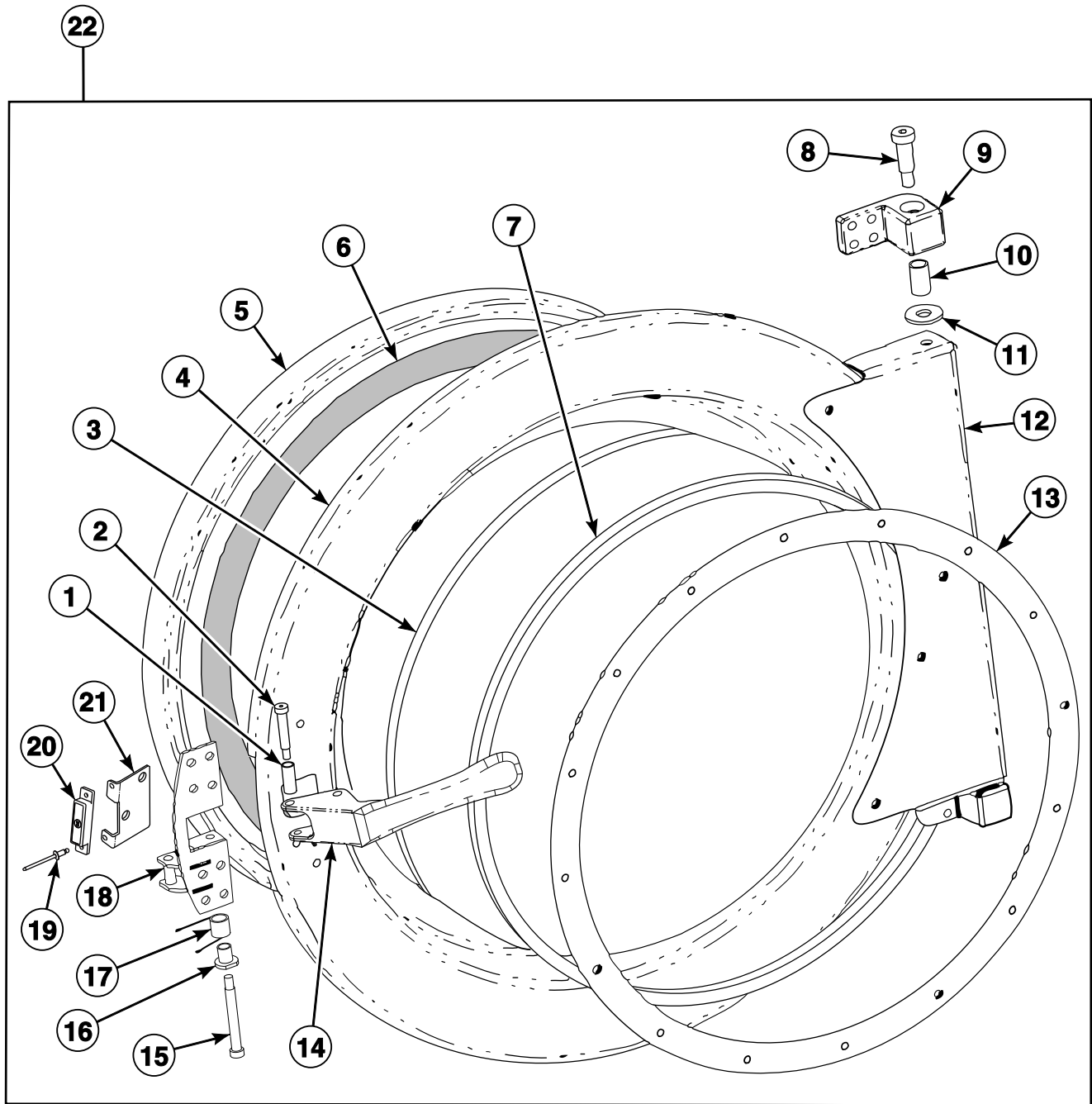
PHM2903P_C002923

Door Assembly - Models through 2/9/09

REF	PART NO.	DESCRIPTION	COMMENTS
	C000559	Bolt	8 required for door hinge block to shell front
	C000574	Nut	8 required for door hinge block to shell front
	803017	Nut	2 required for door hinge block to hinge
	C000561	Bolt	5 required for door hinge to door; 4 required for door handle hinge to door for models through 3/23/04; 3 required for door handle hinge to door for models starting 3/24/04
	C000560	Nut	5 required for door hinge to door; 4 required for door handle hinge to door
	F431026	Nut	8 required for door glass retainer to door
	C000601	Stud	8 required for door glass retainer to door
	F431024	Nut	1 required for door handle to door handle hinge
	C001236	Nut	1 required for door handle to door handle bushing
	C001546	Door Bumper	2 required for door; Models starting 3/23/04
	C001032	Screw	2 required for door bumper; Models starting 3/23/04
1	C000180	Bolt	
2	C000181	Door Handle Bushing	
3	C000749	Door Glass	
4	C000710	Door	
5	253/00162/02	Door Seal	
6	F8513501	Shell Front Gasket Kit	7 feet required
7	C000750	Door Glass Gasket	
8	C001784	Bolt	2 required
9	C000175	Hinge Block	2 required
10	C000176	Door Hinge Bushing	2 required
11	C000177	Washer	2 required
12	C000752	Door Hinge	
13	C000751MD	Door Glass Retainer	
14	C000028P	Door Handle	Models through 3/23/04
	C001679P	Door Handle	Models starting 3/24/04
15	C000470	Door Handle Hinge Weldment	
16	C001785	Bolt	
17	C000192	Door Handle Spring Bushing	
18	C001786	Door Handle Torsion Spring	
19	C000748P	Door Assembly	

N/A = Part no longer available

Door Assembly - Models starting 2/10/09



PHM3095P_C002923

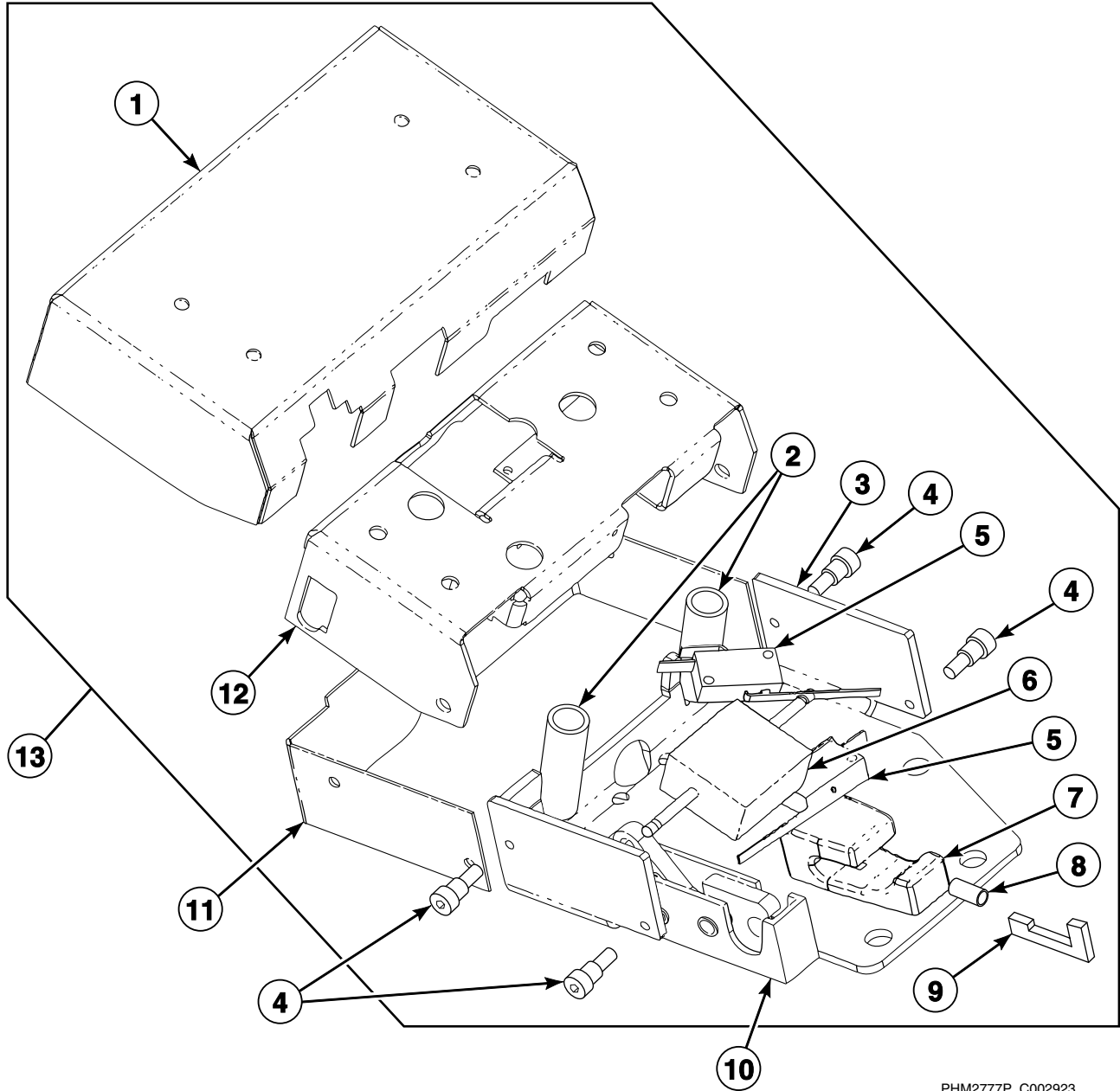
Door Assembly - Models starting 2/10/09

REF	PART NO.	DESCRIPTION	COMMENTS
	C000559	Bolt	8 required for door hinge block to shell front
	C000574	Nut	8 required for door hinge block to shell front
	803017	Nut	2 required for door hinge block to hinge
	C000561	Bolt	5 required for door hinge to door; 3 required for door handle hinge to door
	C000560	Nut	5 required for door hinge to door; 4 required for door handle hinge to door
	F431026	Nut	16 required for door glass retainer to door
	C000601	Stud	16 required for door glass retainer to door
	F431024	Nut	1 required for door handle to door handle hinge
	C001236	Nut	1 required for door handle to door handle bushing
	C001546	Door Bumper	2 required for door
	C001032	Screw	2 required for door bumper
1	C000181	Door Handle Bushing	
2	C000180	Bolt	
3	C000749	Door Glass	
4	C000710	Door	
5	253/00162/02	Door Seal	
6	F8513501	Shell Front Gasket Kit	7 feet required
7	C000750	Door Glass Gasket	
8	C001784	Bolt	2 required
9	C000175	Hinge Block	2 required
10	C000176	Door Hinge Bushing	2 required
11	C000177	Washer	2 required
12	C000752	Door Hinge	
13	C000751MD	Door Glass Retainer	
14	C001679P	Door Handle	
15	C001785	Bolt	
16	C000192	Door Handle Spring Bushing	
17	C001786	Door Handle Torsion Spring	
18	C000470	Door Handle Hinge Weldment	
19	F431223	Pop Rivet	
20	F8390801	Magnet	
21	C002994	Door Magnet Mounting Bracket	
22	C000748P	Door Assembly	Includes items 1-21

N/A = Part no longer available

Door Lock

Models Through Serial No. 0902007001



PHM2777P_C002923

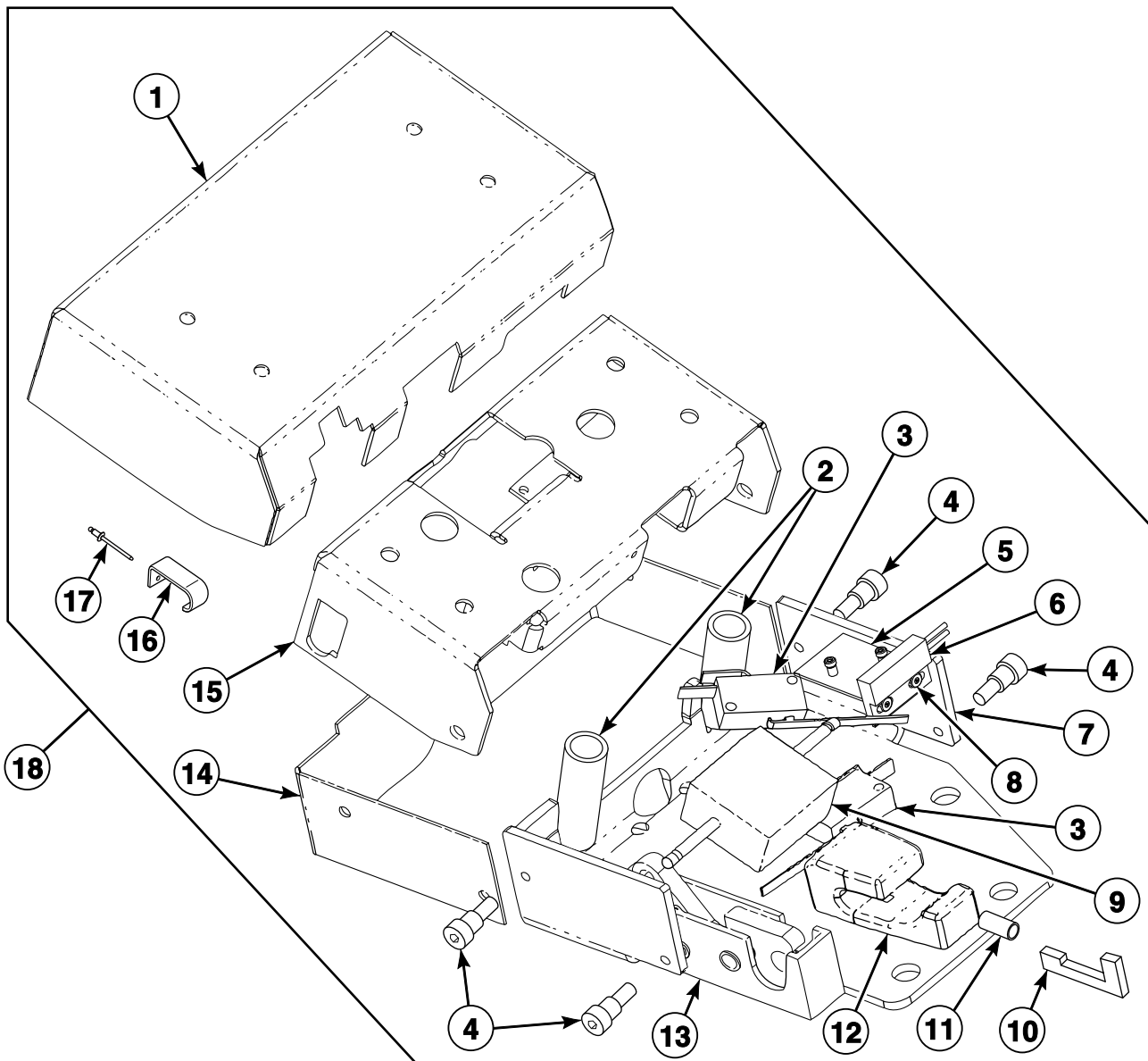
Door Lock

REF	PART NO.	DESCRIPTION	COMMENTS
	81398	Screw	4 required for door lock cover to solenoid bracket; Models starting 3/23/04
	C000430	Bolt	4 required for door lock cover to door lock plate for models through 3/23/04; 4 required for door solenoid bracket to door lock plate for models starting 3/23/04
	C000614	Screw	2 required for door lock switch to door lock plate; 2 required for door lock switch to door lock solenoid bracket
	C000578	Nut	2 required for door lock switch to door lock plate; 2 required for door lock switch to door lock solenoid bracket
	C000561	Bolt	4 required for door lock to shell front
	C000574	Nut	4 required for door lock to shell front
	C000567	Screw	2 required for door latch to door lock plate
	C000571	Washer	2 required for door latch to door lock plate; Models starting 3/23/04
	C000572	Screw	2 required for door lock solenoid to bracket
	C000612	Screw	3 required for door lock catch to door lock plate
	C000613	Screw	2 required for door solenoid bracket to door lock plate; Models through 3/23/04
	C000576	Nut	2 required for door solenoid bracket to door lock plate
	C000867P	Door Lock Harness	
	C003291	Jump Wire	
1	C000688	Door Lock Cover	
2	C000431	Spring	2 required
3	C000684	Door Lock Plate	
4	C000430	Bolt	4 required
5	C000278	Door Lock Microswitch	
6	C000184P	Door Lock Solenoid	
7	C000185	Door Lock Catch	
8	C000276	Door Lock Slide Spring	
9	C000271	Door Lock Switch Slide	
10	N/A	Door Lock Latch	Models through 3/23/04
	C001244	Door Latch	Models starting 3/23/04
11	C000687	Door Lock Spring Cover	
12	C003022	Door Lock Solenoid Bracket	
13	C001036M	Door Lock Kit	Includes items 1-12; Models through 7/14/11 MUST order C002996M Door Lock Kit
	C002996M	Door Lock Kit	

N/A = Part no longer available

Door Lock Assembly with Magnetic Sensor

Models Starting Serial No. 0902007002



PHM3149P_C002923

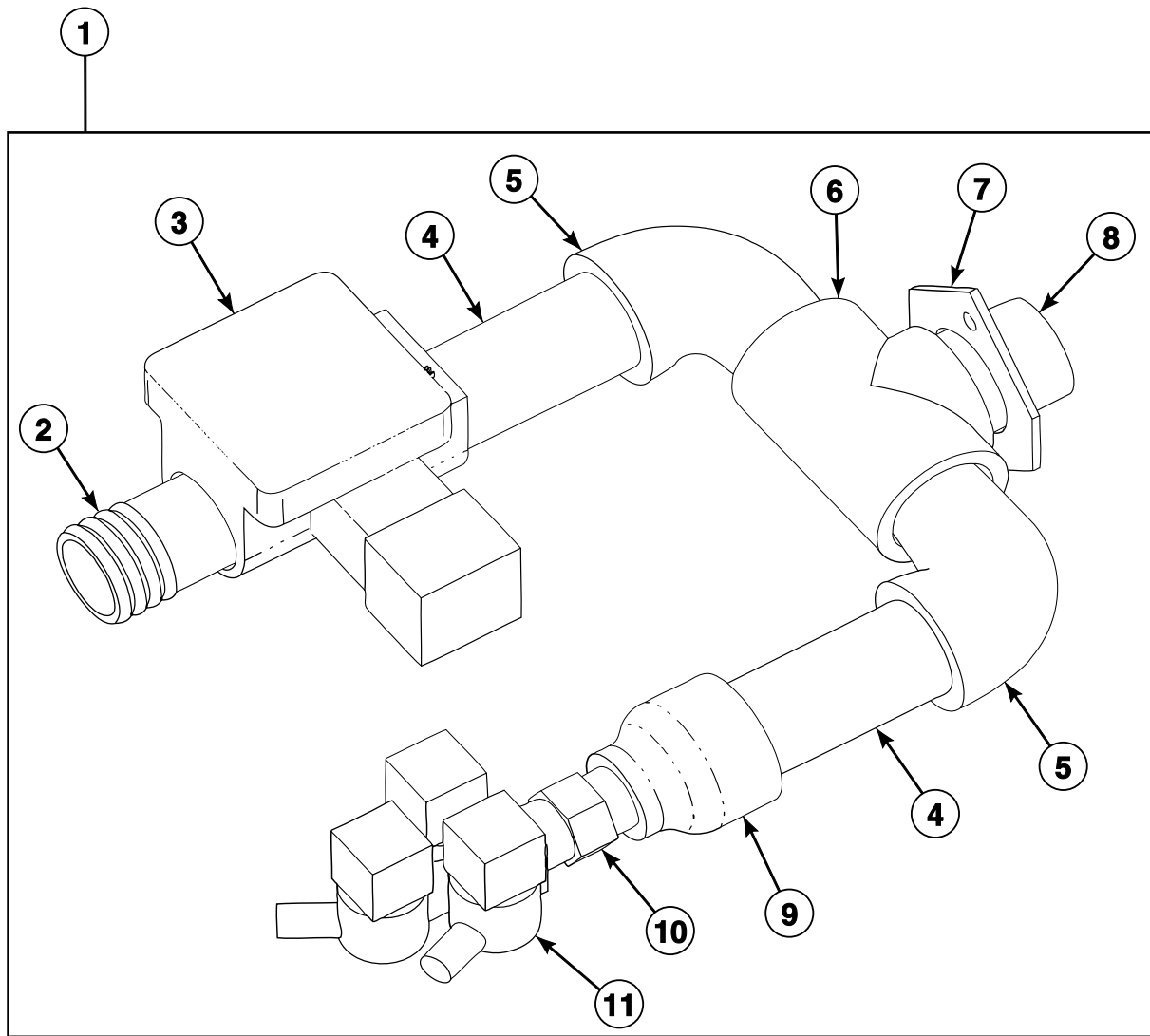
Door Lock Assembly with Magnetic Sensor

REF	PART NO.	DESCRIPTION	COMMENTS
	81398	Screw	4 required for door lock cover to solenoid bracket; Models starting 3/23/04
	C000613	Screw	2 required for door solenoid bracket to door lock plate; Models through 3/23/04
	C000614	Screw	2 required for door lock switch to door lock plate; 2 required for door lock switch to door lock solenoid bracket
	C000578	Nut	2 required for door lock switch to door lock plate; 2 required for door lock switch to door lock solenoid bracket
	C000561	Bolt	4 required for door lock to shell front
	C000574	Nut	4 required for door lock to shell front
	C000567	Screw	2 required for door latch to door lock plate
	C000571	Washer	2 required for door latch to door lock plate; Models starting 3/23/04
	C000572	Screw	2 required for door lock solenoid to bracket
	C000612	Screw	3 required for door lock catch to door lock plate
	C000430	Bolt	4 required for door solenoid bracket to door lock plate for models starting 3/23/04; 4 required for door lock cover to door lock plate for models through 3/23/04
	C000576	Nut	2 required for door lock cover to door lock plate
	C000867P	Door Lock Harness	
	C003291	Jump Wire	
1	C000688	Door Lock Cover	
2	C000431	Spring	
3	C000278	Door Lock Microswitch	
4	C000430	Bolt	
5	C002995	Magnetic Door Switch Bracket	
6	C003000	Reed Switch Assembly	
7	C000684	Door Lock Plate	
8	J1111905	Blind Rivet	
9	C000184P	Door Lock Solenoid	
10	C000271	Door Lock Switch Slide	
11	C000276	Door Lock Slide Spring	
12	C000185	Door Lock Catch	
13	N/A	Door Latch	Models through 3/23/04
	C001244	Door Latch	Models starting 3/23/04
14	C000687	Door Lock Spring Cover	
15	C003022	Door Lock Solenoid Bracket	
16	B12351001	Door Lock Spring	Models starting 12/13/10
17	F431215	Pop Rivet	Models starting 12/13/10
18	C002996M	Door Lock Kit	Includes items 1-17

N/A = Part no longer available

5 Cup Hot Plumbing Assembly

Models CPC140H, CPC140M, IPH140H, IPH140M and IPH640
Models Through 7/1/06



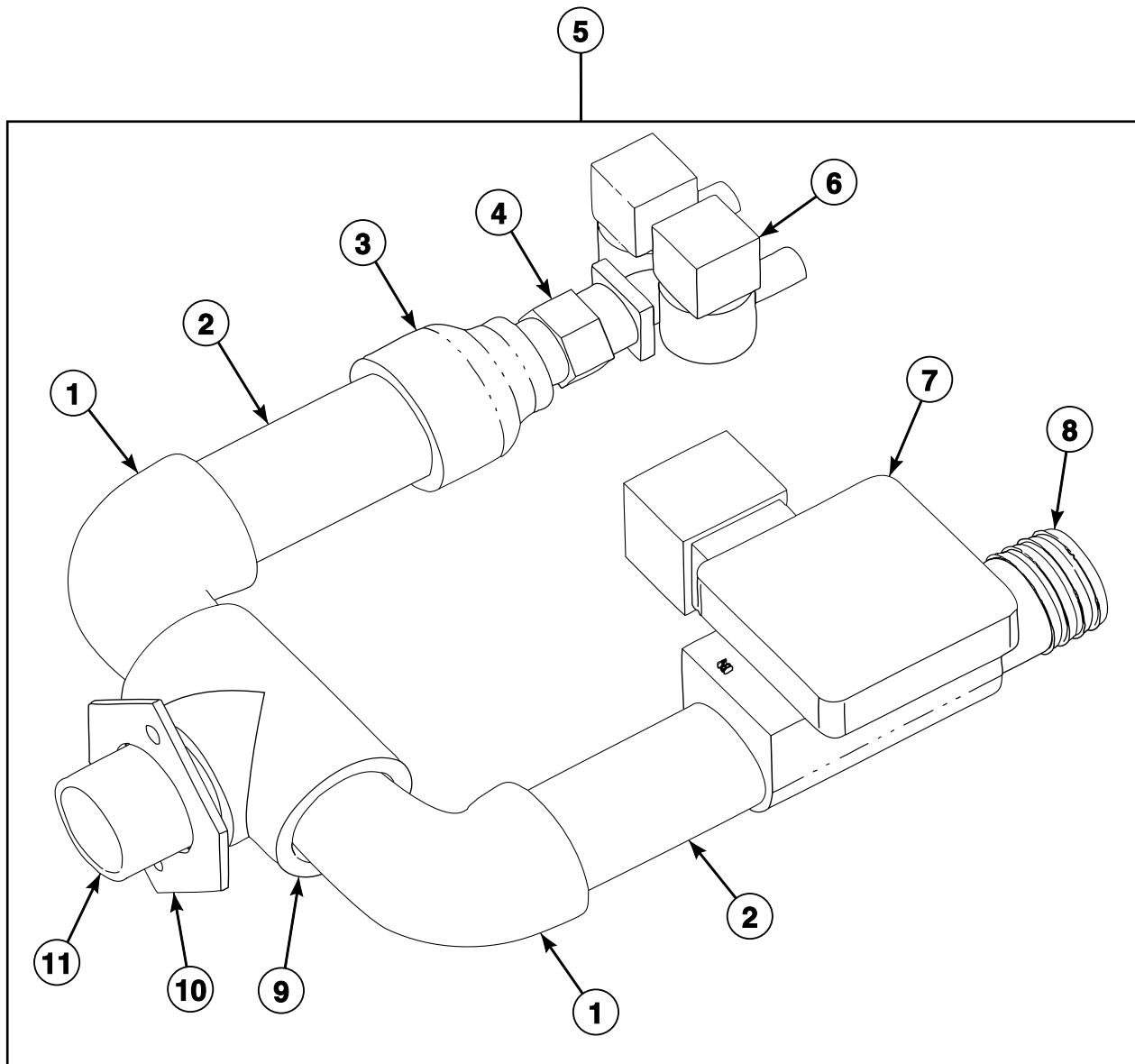
PHM2854P_C002923

5 Cup Hot Plumbing Assembly

REF	PART NO.	DESCRIPTION	COMMENTS
	C000567	Screw	2 required for hot manifold to valve panel
	F431024	Nut	2 required for hot manifold to valve panel
	C001011	Hose	1 required; 43 inch; Hot water valve to vacuum breaker
	C002612P	Inlet Valve Harness	
1	C000897	Hot Plumbing Assembly	
2	C000899	Hose Barb	
3	C000339P	Water Valve	Parker
4	C000894	Nipple	2 required
5	C000893	Street Elbow	2 required
6	C000900	Tee	
7	C000892	Mounting Bracket	
8	C000896	Nipple	
9	C000895	Reducer	
10	C000424	Adapter	
11	C000716P	Valve	
	G582P3	Diaphragm and Guide Kit	

1 Cup Hot Plumbing Assembly

Models CPC140H, CPC140M, IPH140H, IPH140M and IPH640
Models Starting 3/23/04 and Continuing Through 7/1/06



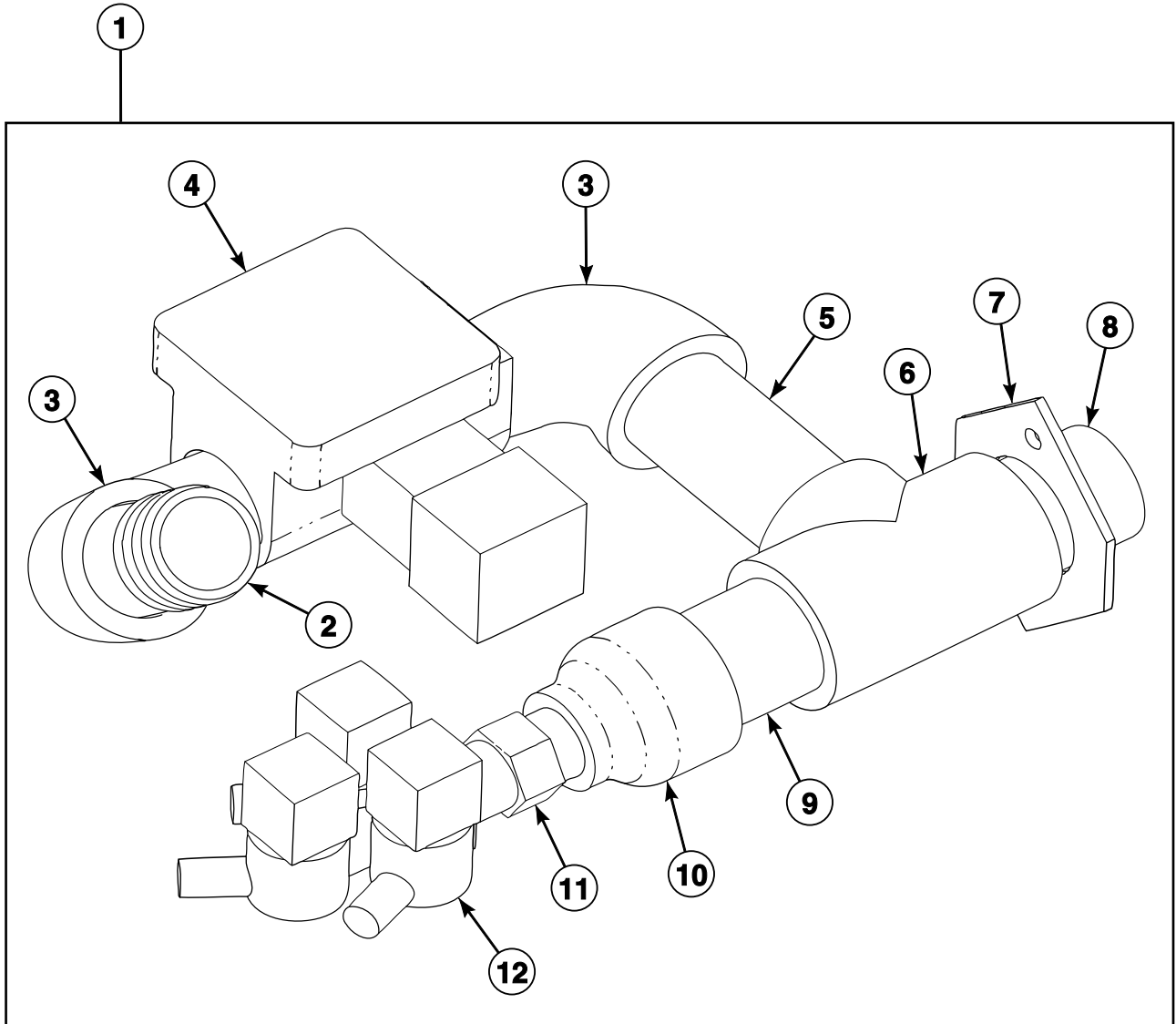
PHM2855P_C002923

1 Cup Hot Plumbing Assembly

REF	PART NO.	DESCRIPTION	COMMENTS
	C001011	Hose	43 inch; Hot water valve to vacuum breaker
	C000567	Screw	2 required for hot manifold to valve panel
	F431024	Nut	2 required for hot manifold to valve panel
	C002609P	Inlet Valve Harness	
1	C000893	Street Elbow	2 required
2	C000894	Nipple	2 required
3	C000895	Reducer	
4	C000424	Adapter	
5	C001665	Hot Plumbing Assembly	
6	C000716P	Valve	
	G582P3	Diaphragm and Guide Kit	
7	C000339P	Water Valve	Parker
8	C000899	Hose Barb	
9	C000900	Tee	
10	C000892	Mounting Bracket	
11	C000896	Nipple	

5 Cup Cold Plumbing Assembly (Drawing 1 of 3)

Models CPC140H, CPC140M, IPH140H, IPH140M and IPH640
Models Through 7/1/06



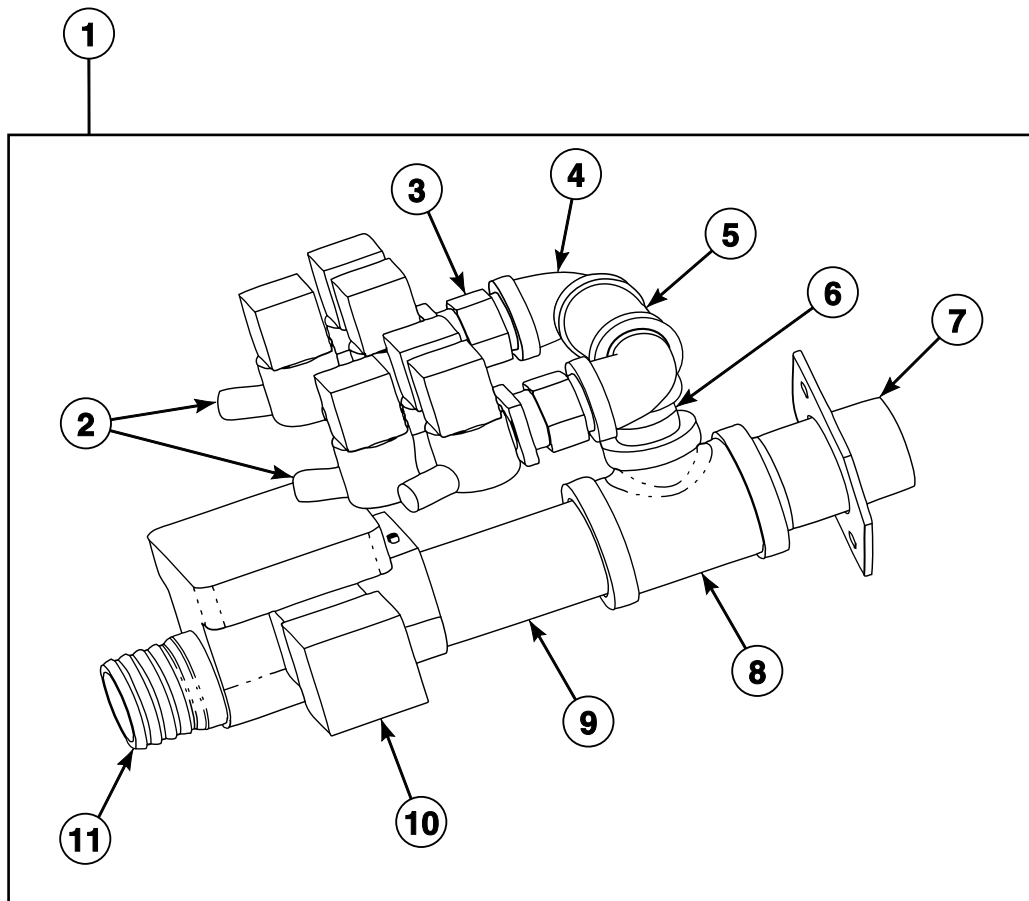
PHM2859P_C002923

5 Cup Cold Plumbing Assembly (Drawing 1 of 3)

REF	PART NO.	DESCRIPTION	COMMENTS
	C001011	Hose	22 inch; Cold water valve to vacuum breaker
	C000567	Screw	2 required for cold manifold to valve panel
	F431024	Nut	2 required for cold manifold to valve panel
	C002612P	Inlet Valve Harness	
1	C000898	5 Cup Cold Plumbing Assembly	
2	C000899	Hose Barb	
3	C000893	Street Elbow	1 required for models through 3/23/04; 2 required for models starting 3/23/04
4	C000339P	Water Valve	Parker
	F380992P	Water Valve Repair Kit	1.25 inches
5	C000894	Nipple	
6	C000900	Tee	
7	C000892	Mounting Bracket	
8	C000896	Nipple	
9	C001005	Nipple	
10	C000895	Reducer	
11	C000424	Adapter	
12	C000436P	Water Valve	
	G582P3	Diaphragm and Guide Kit	

5 Cup Cold Plumbing Assembly (Drawing 2 of 3)

Models CPC140H, CPC140M, CP140PHN1, CP140PHQ1, CP140PMN1, CP140PMQ1, IPH140H, IPH140M, IPH640, IP140PHN1, IP140PHQ1, IP140PMN1, IP140PMQ1, JP140PHN1, JP140PHQ1 and JP140PMQ1
Models Starting 7/1/06



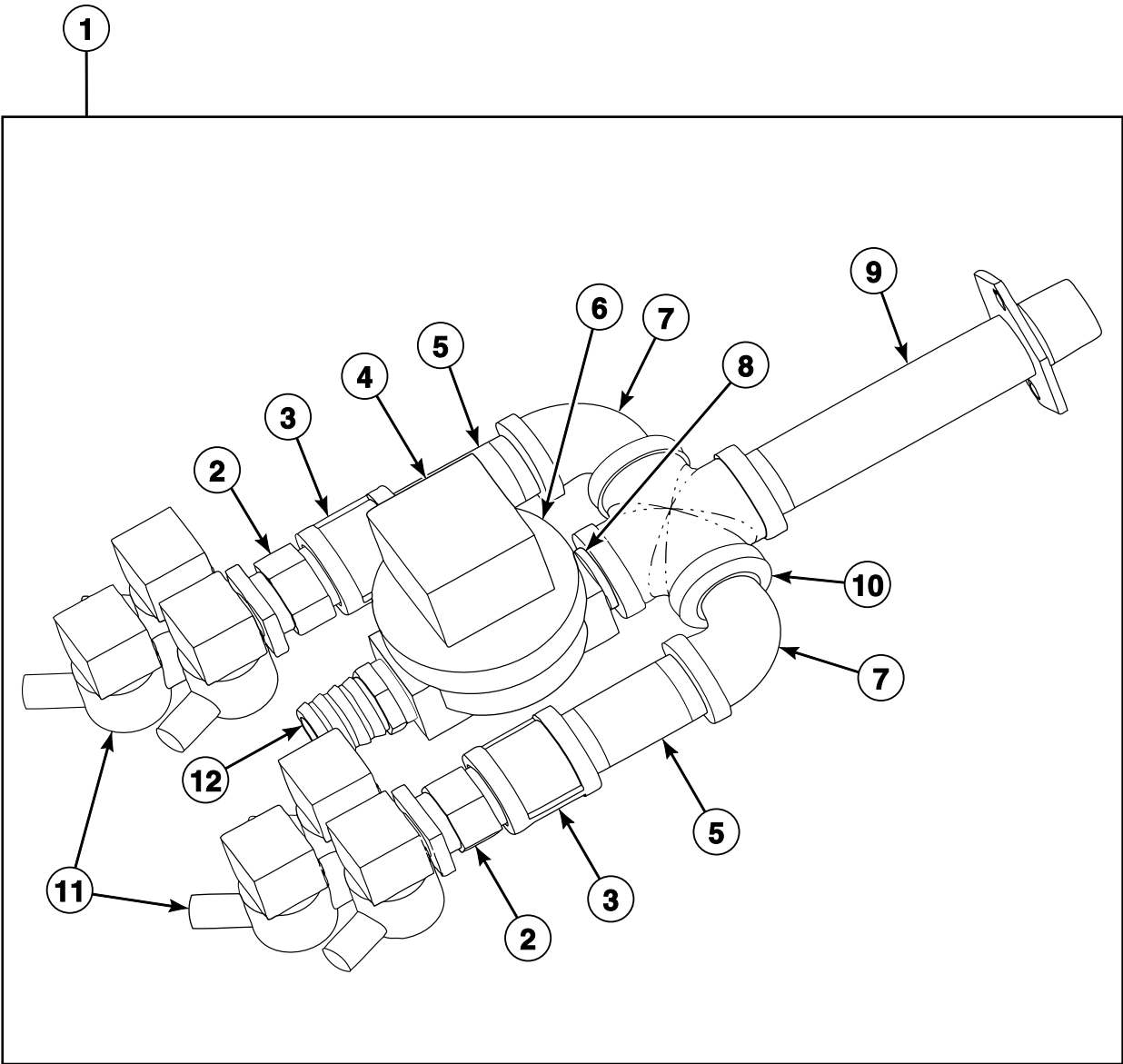
PHM2804P_C002923

5 Cup Cold Plumbing Assembly (Drawing 2 of 3)

REF	PART NO.	DESCRIPTION	COMMENTS
	C001011	Hose	22 inch; Cold water valve to vacuum breaker
	C000567	Screw	2 required for cold manifold to valve panel
	F431024	Nut	2 required for cold manifold to valve panel
	C002612P	Inlet Valve Harness	
1	C002538	5 Cup Cold Plumbing Assembly	
2	C000436P	Water Valve	2 required
	G582P3	Diaphragm and Guide Kit	
3	C000424	Adapter	2 required
4	F420502	Street Elbow	2 required
5	F420403	Tee	
6	F420107	Nipple	
7	C002164	Mounting Flange Weldment	
8	C002165	Reducing Tee	
9	C000894	Nipple	
10	C000339P	Water Valve	Parker
	C001676P	Water Valve Rebuild Kit	1.25 inches
11	C000899	Hose Barb	

5 Cup Cold Plumbing Assembly (Drawing 3 of 3)

Models CPC125H, CP125PHN1, CP125PHN2, CP125PHQ1, CP125PHQ2, IPH125H, IPH570, IP125PHN1, IP125PHN2, IP125PHQ1, IP125PHQ2, JP125PHN1 and JP125PHN2



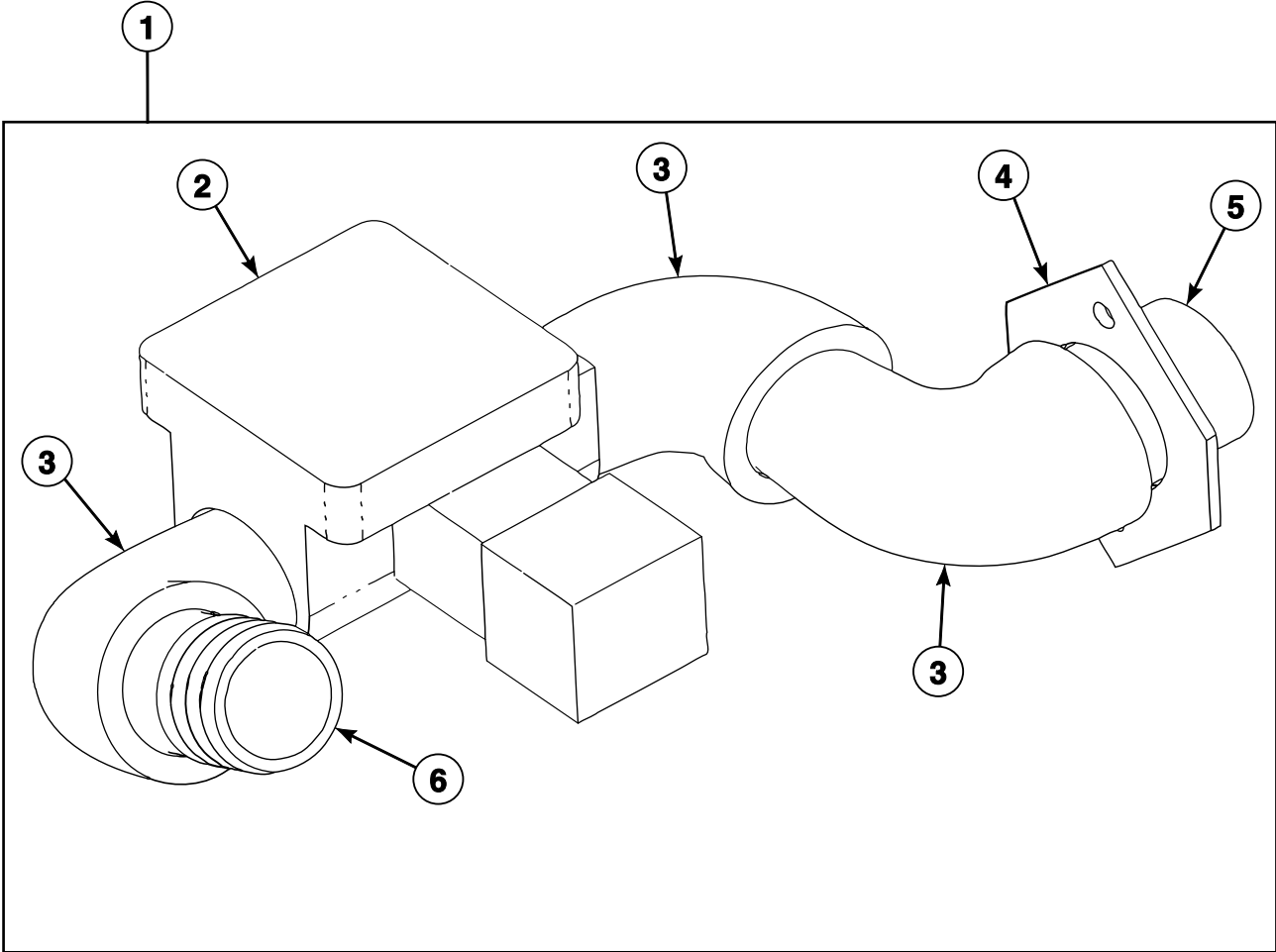
PHM2856P_C002923

5 Cup Cold Plumbing Assembly (Drawing 3 of 3)

REF	PART NO.	DESCRIPTION	COMMENTS
	F200128P	Water Hose	16 inch; Cold water valve to vacuum breaker
	C000567	Screw	2 required for cold manifold to valve panel
	F431024	Nut	2 required for cold manifold to valve panel
	C002612P	Inlet Valve Harness	
	F8514701	Coil	Use with F8322904 Steam Valve
	F8382301	DIN Valve Adapter Kit	Use with F8322904 Steam Valve
	F8379502	Valve Rebuild Kit	Use with F8322904 Steam Valve
1	C002563	Cold Plumbing Assembly	
2	C000424	Adapter	2 required
3	C000420	Coupling	2 required
4	F380986P	DIN Coil	120 Volt
	F380987P	DIN Coil	240 Volt
5	C000410	Drain Bracket	2 required
6	F381700P	Valve	Replaced by F8322904 Steam Valve after being upgraded with F8521901 DIN Valve Kit
	F380991P	Water Valve Repair Kit	3/4 inch; Use with F381700P Valve
	F8322904	Steam Valve	Replaces F381700P Valve; Includes F8514701 Coil; For models that have been upgraded with F8521901 DIN Valve Kit
	F8521901	DIN Valve Kit	Replaces F381700P Valve; Includes F8322904 Steam Valve and F8514701 Coil
7	F420502	Street Elbow	2 required
8	F420107	Nipple	
9	C001366	Flange and Nipple Assembly	
10	C002166	Cross	
11	C000436P	Water Valve	2 required
	G582P3	Diaphragm and Guide Kit	
12	F421951	Hose Barb	

Single Cup Cold Plumbing Assembly (Drawing 1 of 3)

Models CPC140H, CPC140M, IPH140H, IPH140M and IPH640
Models Through 7/1/06



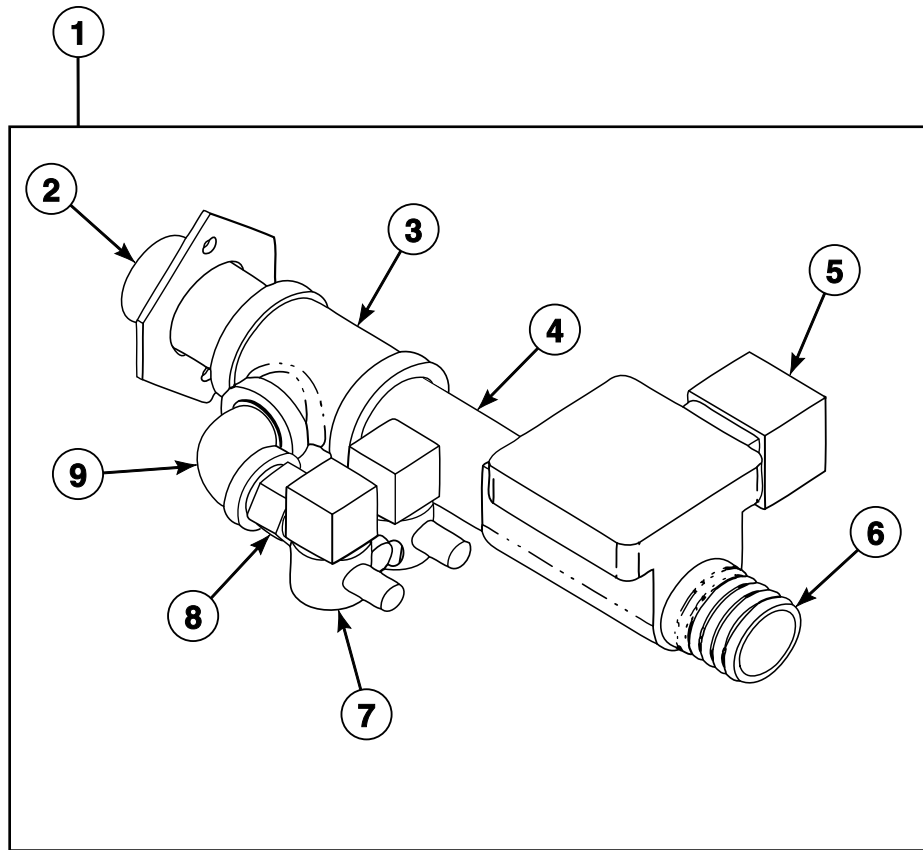
PHM2853P_C002923

Single Cup Cold Plumbing Assembly (Drawing 1 of 3)

REF	PART NO.	DESCRIPTION	COMMENTS
	C001011	Hose	22 inch; Cold water valve to vacuum breaker
	C000567	Screw	2 required for cold manifold to valve panel
	F431024	Nut	2 required for cold manifold to valve panel
	C002609P	Inlet Valve Harness	
1	C001022	Single Cup Cold Plumbing Assembly	
2	C000339P	Water Valve	
3	C000893	Street Elbow	3 required
4	C000892	Mounting Bracket	
5	C000896	Nipple	
6	C000899	Hose Barb	

Single Cup Cold Plumbing Assembly (Drawing 2 of 3)

Models CPC140H, CPC140M, CP140PHN1, CP140PHQ1, CP140PMN1, CP140PMQ1, IPH140H, IPH140M, IPH640, IP140PHN1, IP140PHQ1, IP140PMN1, IP140PMQ1, JP140PHN1, JP140PHQ1 and JP140PMQ1
Models Starting 7/1/06



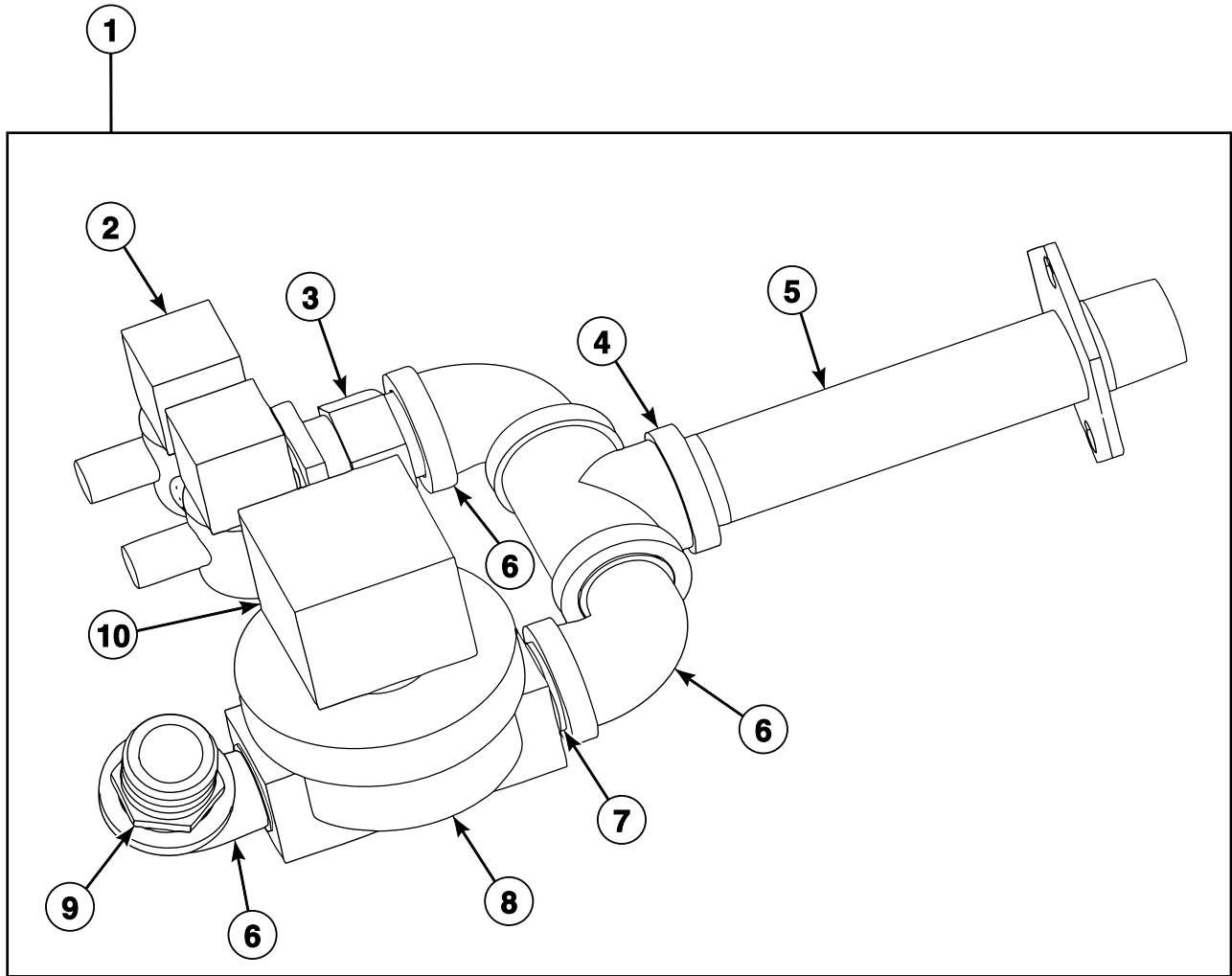
PHM2803P_C002923

Single Cup Cold Plumbing Assembly (Drawing 2 of 3)

REF	PART NO.	DESCRIPTION	COMMENTS
	C001011	Hose	22 inch; Cold water valve to vacuum breaker
	C000567	Screw	2 required for cold manifold to valve panel
	F431024	Nut	2 required for cold manifold to valve panel
	C002609P	Inlet Valve Harness	
1	C002537	Single Cup Cold Plumbing Assembly	
2	C002164	Mounting Flange Weldment	
3	C002165	Reducing Tee	
4	C000894	Nipple	
5	C000339P	Water Valve	Parker
6	C000899	Hose Barb	
7	C000716P	Valve	
	G582P3	Diaphragm and Guide Kit	
8	C000424	Adapter	
9	F420502	Street Elbow	

Single Cup Cold Plumbing Assembly (Drawing 3 of 3)

Models CPC125H, CP125PHN1, CP125PHN2, CP125PHQ1, CP125PHQ2, IPH125H, IPH570, IP125PHN1, IP125PHN2, IP125PHQ1, IP125PHQ2, JP125PHN1 and JP125PHN2



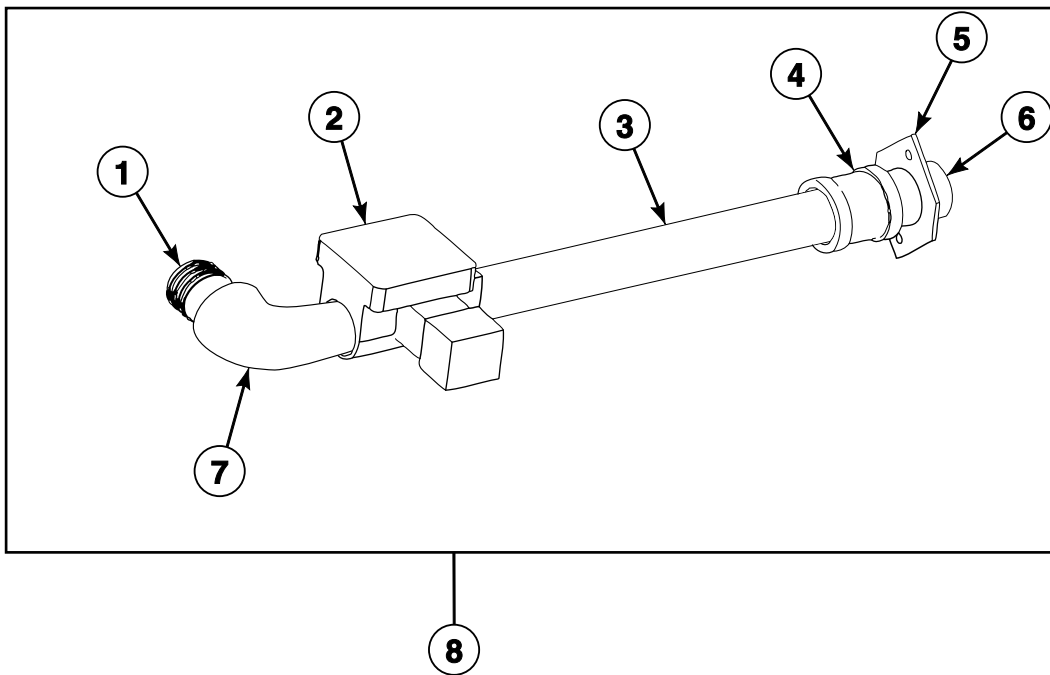
PHM2852P_C002923

Single Cup Cold Plumbing Assembly (Drawing 3 of 3)

REF	PART NO.	DESCRIPTION	COMMENTS
	C000552	Hose	14 inch; Cold water valve to vacuum breaker
	C000567	Screw	2 required for cold manifold to valve panel
	F431024	Nut	2 required for cold manifold to valve panel
	C002609P	Inlet Valve Harness	
	F8514701	Coil	Use with F8322904 Steam Valve
	F8382301	DIN Valve Adapter Kit	Use with F8322904 Steam Valve
	F8379502	Valve Rebuild Kit	Use with F8322904 Steam Valve
1	C002564	Cold Plumbing Assembly	
2	C000716P	Valve	
	G582P3	Diaphragm and Guide Kit	
3	C000424	Adapter	
4	F420403	Tee	
5	C001366	Flange and Nipple Assembly	
6	F420502	Street Elbow	3 required
7	F420107	Nipple	
8	F381700P	Valve	Replaced by F8322904 Steam Valve after being upgraded with F8521901 DIN Valve Kit
	F8322904	Steam Valve	Replaces F381700P Valve; Includes F8514701 Coil; For models that have been upgraded with F8521901 DIN Valve Kit
	F8521901	DIN Valve Kit	Replaces F381700P Valve; Includes F8322904 Steam Valve and F8514701 Coil
9	F421951	Hose Barb	
10	F380986P	DIN Coil	120 Volt
	F380987P	DIN Coil	240 Volt

Auxiliary Plumbing Assembly with Valve

Models CPC140H, CPC140M, IPH140H, IPH140M and IPH640
Models Through 7/1/06



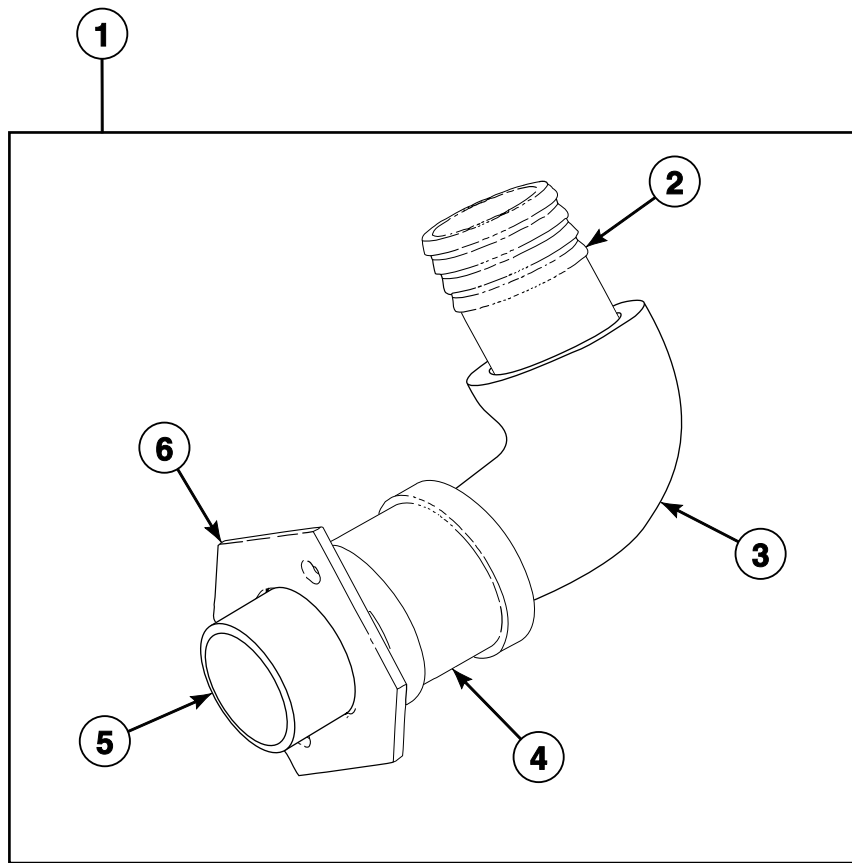
PHM2889P_C002923

Auxiliary Plumbing Assembly with Valve

REF	PART NO.	DESCRIPTION	COMMENTS
	C001011	Hose	37 inch; Auxiliary water valve to vacuum breaker
1	C000899	Hose Barb	
2	C000339P	Water Valve	
3	C001144	Nipple	
4	C001143	Coupling	
5	C000892	Mounting Bracket	
6	C000896	Nipple	
7	C000893	Street Elbow	
8	C001145	Auxiliary Plumbing Assembly	

Auxiliary Plumbing Assembly without Valve (Drawing 1 of 2)

Models CPC140H, CPC140M, IPH140H, IPH140M and IPH640
Models Starting 3/23/04 Through 7/1/06



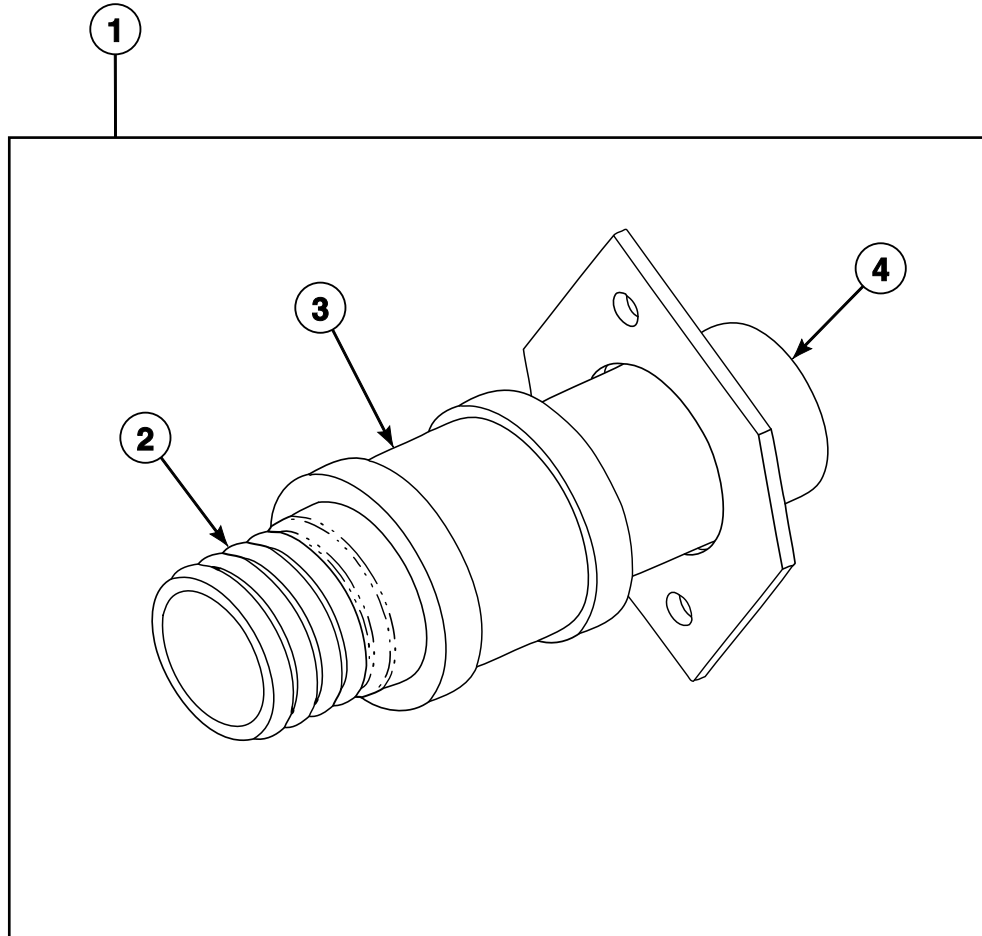
PHM2888P_C002923

Auxiliary Plumbing Assembly without Valve (Drawing 1 of 2)

REF	PART NO.	DESCRIPTION	COMMENTS
	C001011	Hose	37 inch; Auxiliary water valve to vacuum breaker
1	C001273	Auxiliary Plumbing Assembly	
2	C000899	Hose Barb	
3	C000893	Street Elbow	
4	C001143	Coupling	
5	C000896	Nipple	
6	C000892	Mounting Bracket	

Auxiliary Plumbing Assembly without Valve (Drawing 2 of 2)

Models CPC140H, CPC140M, CP140PHN1, CP140PHQ1, CP140PMN1, CP140PMQ1, IPH140H, IPH140M, IPH640, IP140PHN1, IP140PHQ1, IP140PMN1, IP140PMQ1, JP140PHN1, JP140PHQ1 and JP140PMQ1
Models Starting 7/1/06



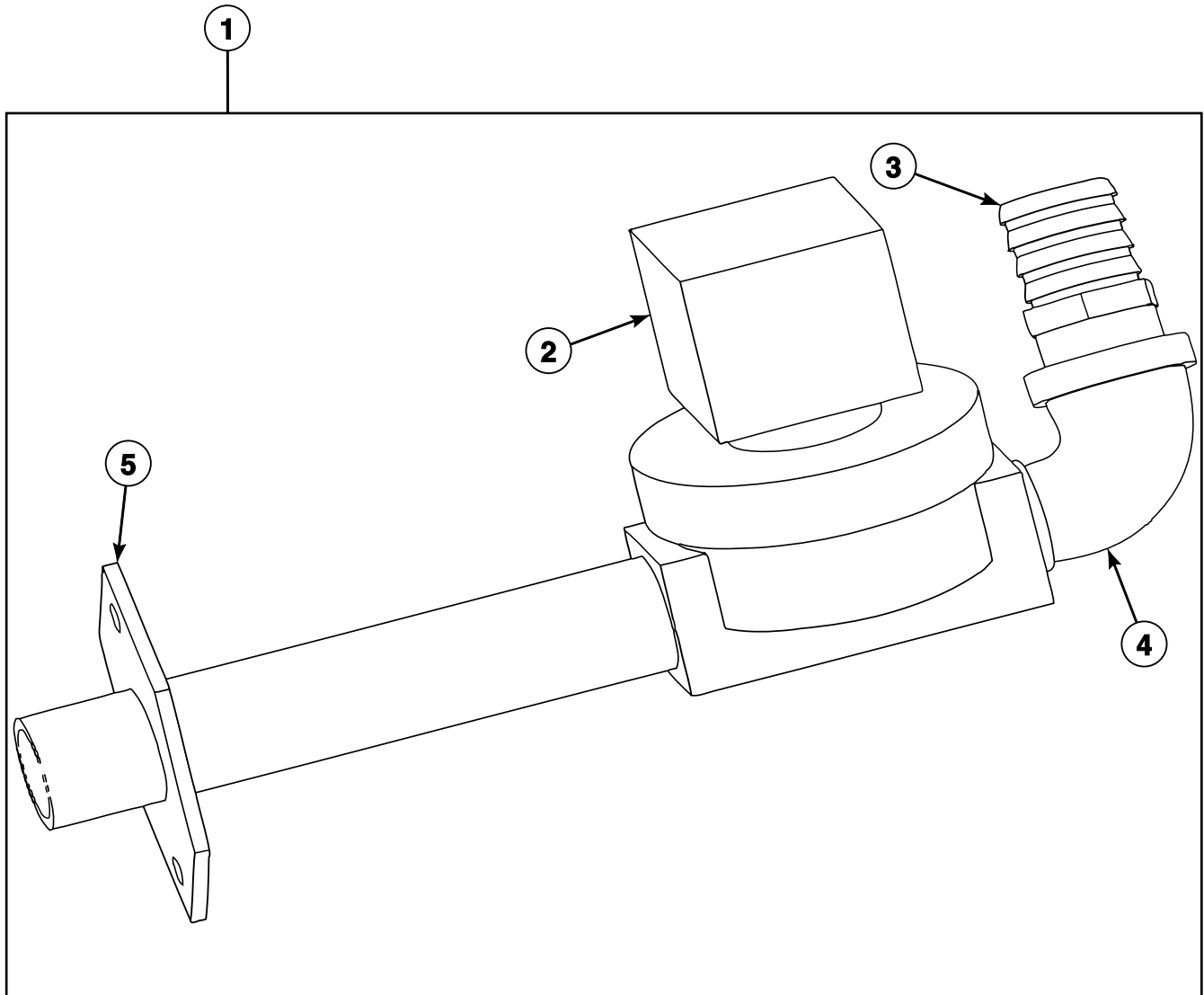
PHM2805P_C002923

Auxiliary Plumbing Assembly without Valve (Drawing 2 of 2)

REF	PART NO.	DESCRIPTION	COMMENTS
	C001011	Hose	37 inch; Auxiliary water valve to vacuum breaker
1	C002397	Auxiliary Plumbing Assembly	
2	C000899	Hose Barb	
3	C001143	Coupling	
4	C002164	Mounting Flange Weldment	

Hot and Auxiliary Plumbing Assembly with Valve (Drawing 1 of 2)

Models CPC125H, CP125PHN1, CP125PHN2, CP125PHQ1, CP125PHQ2, IPH125H, IPH570, IP125PHN1, IP125PHN2, IP125PHQ1, IP125PHQ2, JP125PHN1 and JP125PHN2



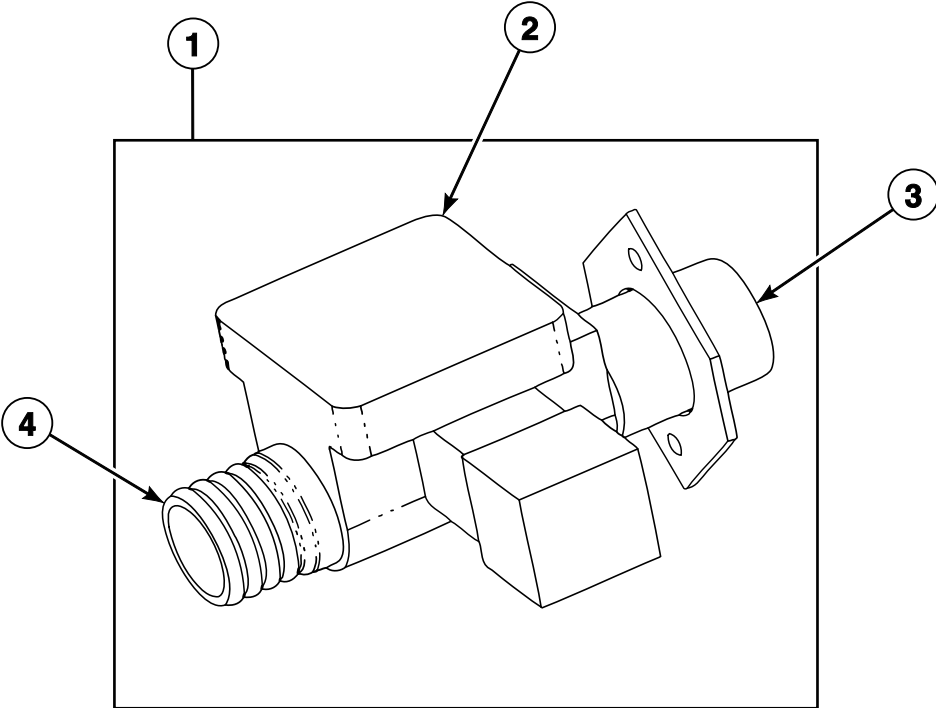
PHM2739P_C002923

Hot and Auxiliary Plumbing Assembly with Valve (Drawing 1 of 2)

REF	PART NO.	DESCRIPTION	COMMENTS
	C000552	Hose	21 inch; 1 cup; Hot water valve to vacuum breaker
	F200128P	Water Hose	21 inch; 5 cup; Hot water valve to vacuum breaker
	C000567	Screw	2 required for hot manifold to valve panel
	F431024	Nut	2 required for hot manifold to valve panel
	F8514701	Coil	Use with F8322904 Steam Valve
	F8382301	DIN Valve Adapter Kit	Use with F8322904 Steam Valve
	F8379502	Valve Rebuild Kit	Use with F8322904 Steam Valve
1	C002565	Hot Plumbing Assembly	
2	F381700P	Valve	Replaced by F8322904 Steam Valve after being upgraded with F8521901 DIN Valve Kit
	F8322904	Steam Valve	Replaces F381700P Valve; Includes F8514701 Coil; For models that have been upgraded with F8521901 DIN Valve Kit
	F8521901	DIN Valve Kit	Replaces F381700P Valve; Includes F8322904 Steam Valve and F8514701 Coil
3	F421951	Hose Barb	
4	F420502	Street Elbow	
5	C001366	Flange and Nipple Assembly	

Hot and Auxiliary Plumbing Assembly with Valve (Drawing 2 of 2)

Models CPC140H, CPC140M, CP140PHN1, CP140PHQ1, CP140PMN1, CP140PMQ1, IPH140H, IPH140M, IPH640, IP140PHN1, IP140PHQ1, IP140PMN1, IP140PMQ1, JP140PHN1, JP140PHQ1 and JP140PMQ1
Models Starting 7/1/06

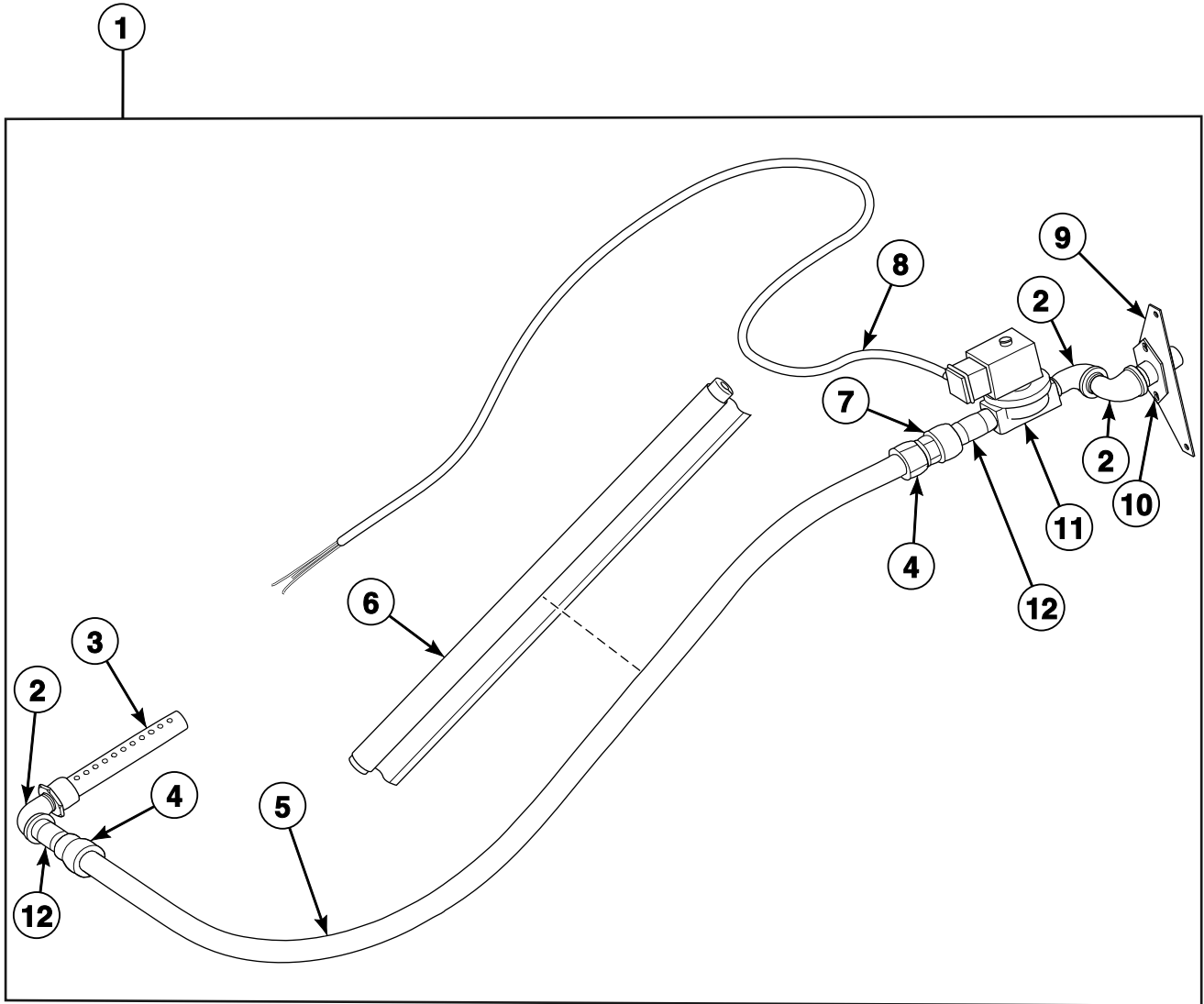


PHM2802P_C002923

Hot and Auxiliary Plumbing Assembly with Valve (Drawing 2 of 2)

REF	PART NO.	DESCRIPTION	COMMENTS
	C000567	Screw	2 required for hot manifold to valve panel
	F431024	Nut	2 required for hot manifold to valve panel
	C001011	Hose	43 inch; Hot water valve to vacuum breaker
1	C002539	Hot Plumbing Assembly	
2	C000339P	Water Valve	
3	C002164	Mounting Flange Weldment	
4	C000899	Hose Barb	

Steam Heat Assembly



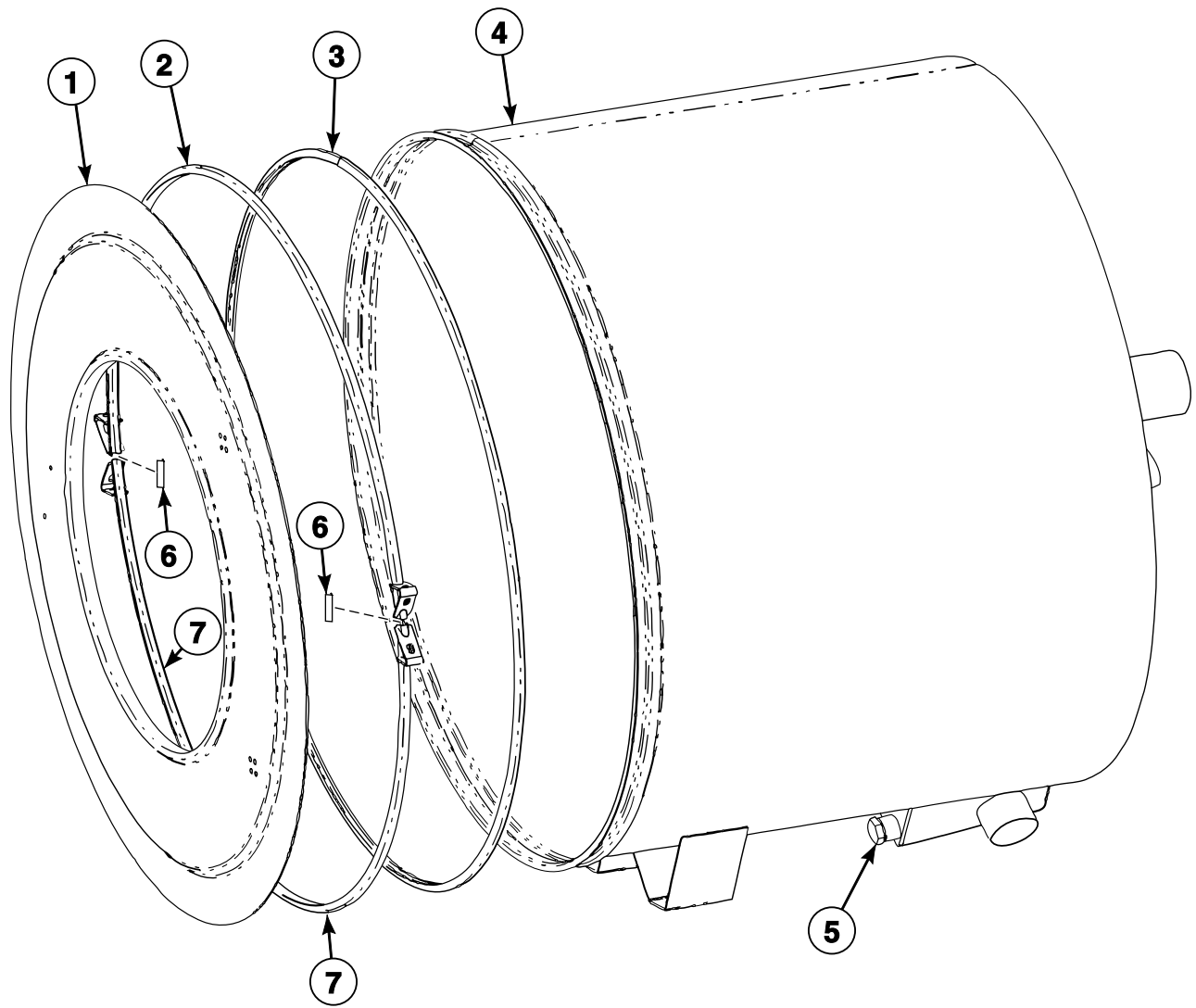
PHM3094P_C002923

Steam Heat Assembly

REF	PART NO.	DESCRIPTION	COMMENTS
1	C001000	Steam Option Assembly	
2	F421707	Street Elbow	
3	F603132	Steam Injector Tube Assembly	
4	C000978	Reducing Coupling	
5	C000982	Steam Hose	
6	C001003	Steam Hose Insulation	
7	C001587	Steam Hose Adapter	
8	C002748P	Steam Cord Assembly	
9	C000981	Steam Valve Mounting Bracket	
10	C002898	Steam Inlet Weldment	
11	F8322904	Steam Valve	
12	F421323	Nipple	

Shell Assembly (Drawing 1 of 2)

Models CPC140H, CPC140M, CP140PHN1, CP140PHQ1, CP140PMN1, CP140PMQ1, IPH140H, IPH140M, IPH640, IP140PHN1, IP140PHQ1, IP140PMN1, IP140PMQ1, JP140PHN1, JP140PHQ1 and JP140PMQ1



PHM3206P_C002923

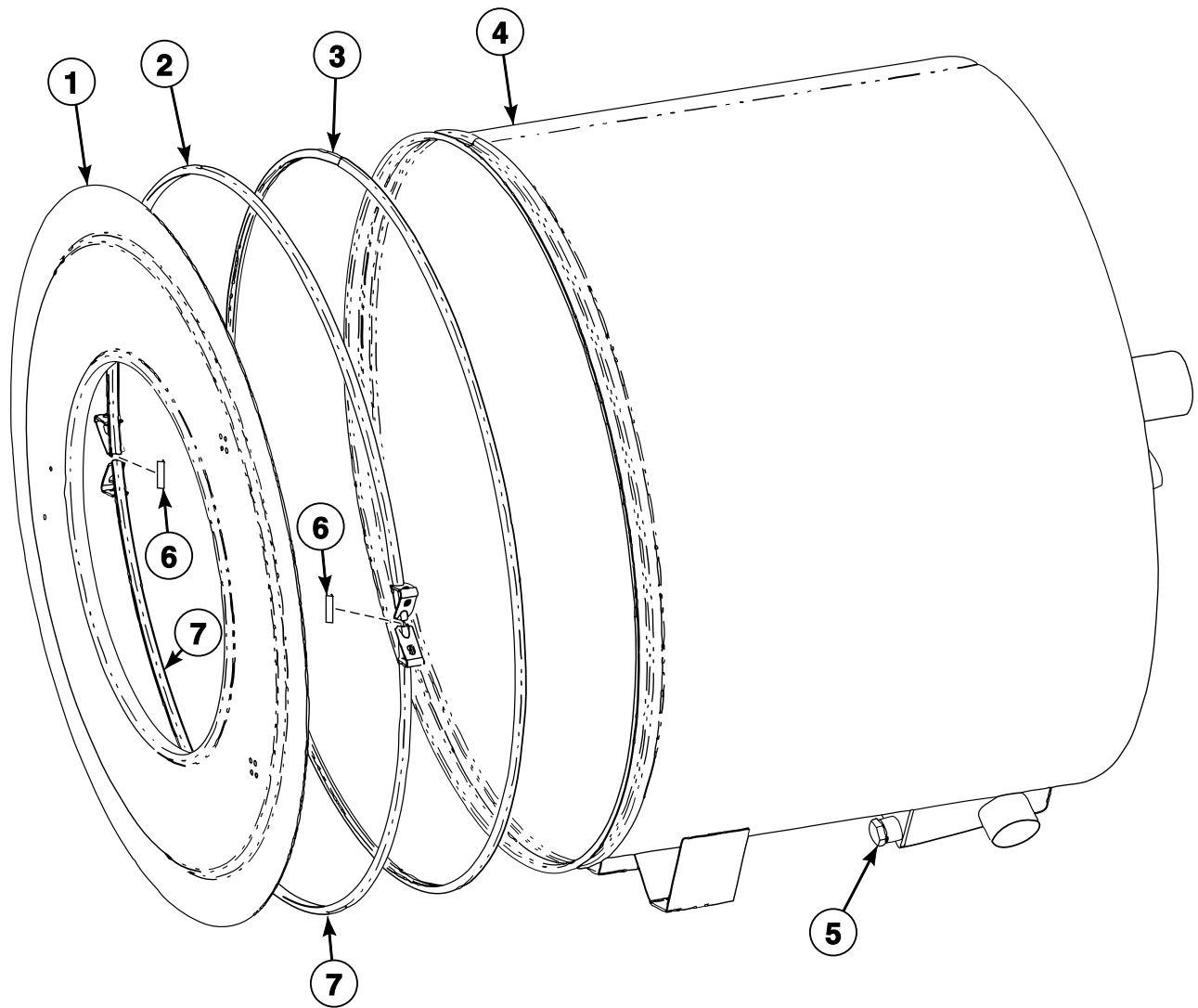
Shell Assembly (Drawing 1 of 2)

REF	PART NO.	DESCRIPTION	COMMENTS
	C001856	Screw	2 required; Holds bands together; Models through 3/23/04
	C001907	Screw	2 required; Holds bands together; Models starting 3/23/04
	F431024	Nut	2 required; Holds bands together; Models through 3/23/04
	C000560	Nut	2 required; Holds bands together; Models starting 3/23/04
	C000590	Washer	As required; Holds bands together; Models through 3/23/04
	J1001270	Washer	As required; Holds bands together; Models starting 3/23/04
	C000273	Bolt	4 required for shell support bracket to frame; 2 required for shell support bracket to shell
	C000611	Nut	4 required for shell support bracket to frame; 2 required for shell support bracket to shell
	C000583	Washer	8 required for shell support bracket to frame; 4 required for shell support bracket to shell
	C000561	Bolt	8 required for shell back to frame; Models through 3/23/04
	C001032	Screw	8 required for shell back to frame; Models starting 3/23/04
	C000599	Vacuum Breaker Hose	Models through 3/23/04, 1 required for brass air trap tube to sensor; Models starting 3/23/04, 1 required for air trap to water level switch
	C000654	Air Trap Tube Elbow	1 required for shell back plate; Models through 3/23/04
	C000662	Air Trap Tube	1 required for air trap tube; Models through 3/23/04
1	C002978	Shell Front Assembly	Models through 12/1/09
	C002943	Shell Front Assembly	Models starting 12/2/09
2	C002730	Shell Band Weldment	Short
3	N/A	Shell Front Gasket	Models through 3/23/04
	C001876P	Shell Front Gasket	Models starting 3/23/04
4	C000772	Shell Assembly	
5	C000781	Plug	
6	F601216	Shell Gasket Shield	
7	N/A	Shell Front Band	Models through 3/23/04
	C001887	Shell Band Weldment	Models starting 3/23/04

N/A = Part no longer available

Shell Assembly (Drawing 2 of 2)

Models CPC125H, CP125PHN1, CP125PHN2, CP125PHQ1, CP125PHQ2, IPH125H, IPH570, IP125PHN1, IP125PHN2, IP125PHQ1, IP125PHQ2, JP125PHN1 and JP125PHN2



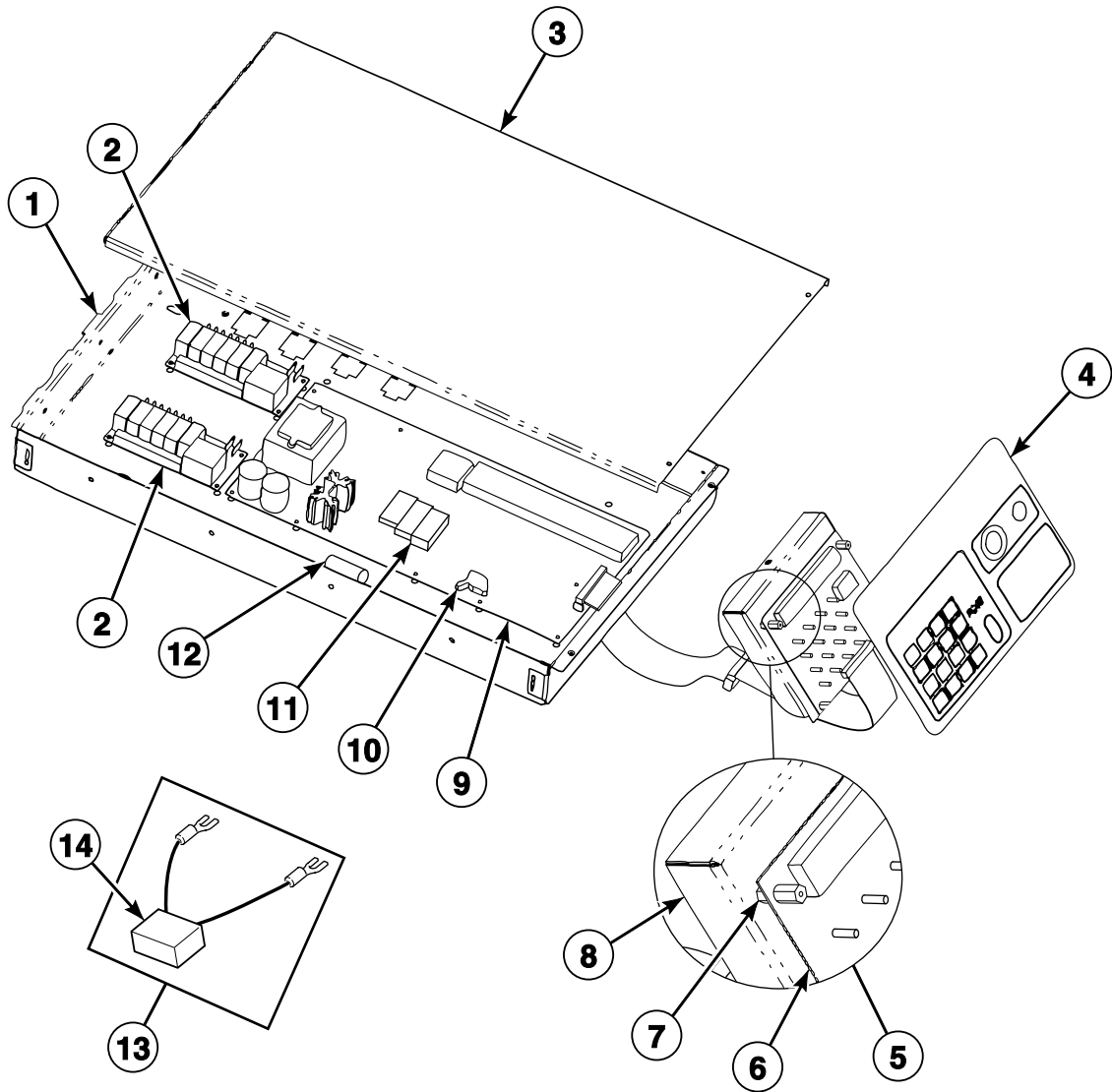
PHM3206P_C002923

Shell Assembly (Drawing 2 of 2)

REF	PART NO.	DESCRIPTION	COMMENTS
	C001856	Screw	2 required; Holds bands together
	F431024	Nut	2 required; Holds bands together
	C000590	Washer	As required; Holds bands together
	C000273	Bolt	4 required for shell support bracket to frame; 2 required for shell support bracket to shell
	C000611	Nut	4 required for shell support bracket to frame; 2 required for shell support bracket to shell
	C000583	Washer	8 required for shell support bracket to frame; 4 required for shell support bracket to shell
	C001032	Screw	8 required for shell back to frame
	C000599	Vacuum Breaker Hose	1 required for air trap to water level switch
1	C002978	Shell Front Assembly	Models through 12/1/09
	C002943	Shell Front Assembly	Models starting 12/2/09
2	N/A	Shell Front Band	2 required; Models through 3/23/04
	C001887	Shell Band Weldment	Models starting 3/23/04
3	N/A	Shell Front Gasket	Models through 3/23/04
	C001876P	Shell Front Gasket	Models starting 3/23/04
4	C000772	Shell Assembly	
5	C000781	Plug	
6	F601216	Shell Gasket Shield	

N/A = Part no longer available

Control Box Assembly



PHM3104P_C002923

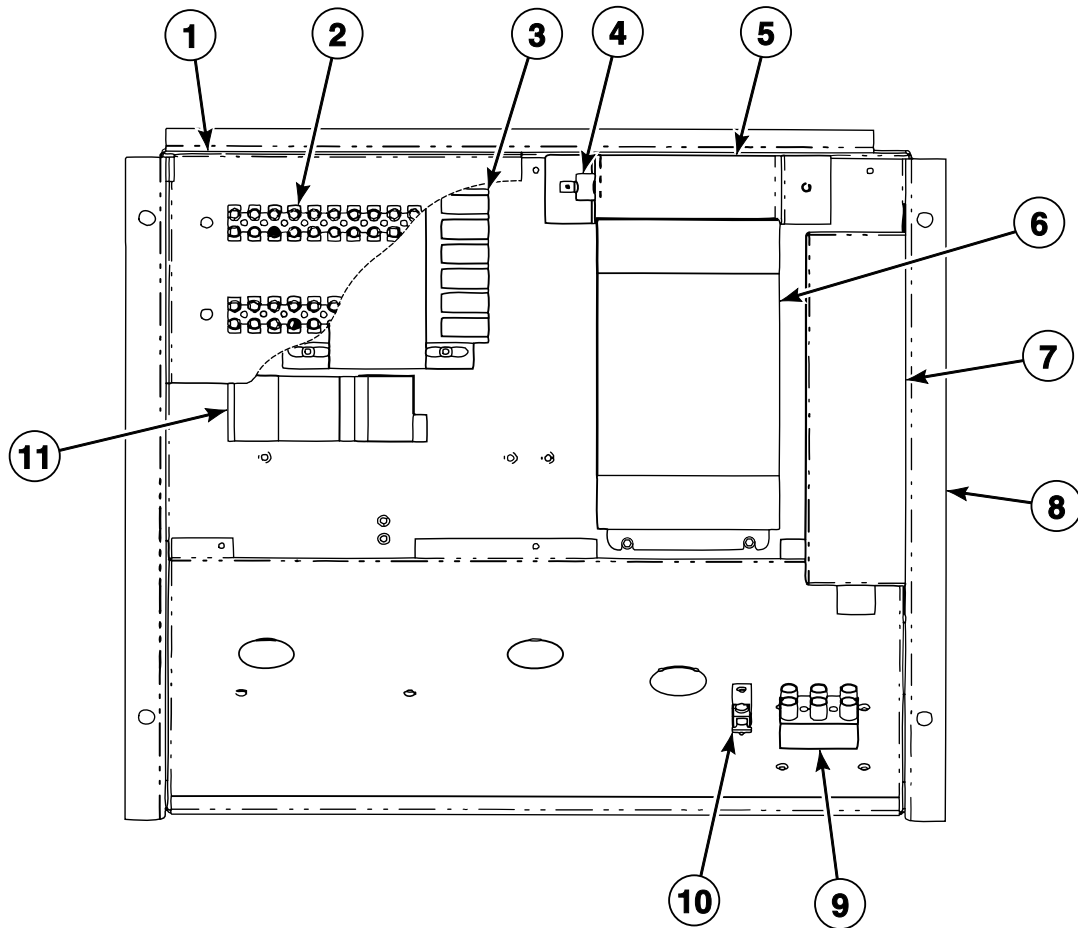
Control Box Assembly

REF	PART NO.	DESCRIPTION	COMMENTS
	F431133	Washer	4 required; Models starting 3/23/04
	F430910	Screw	4 required for keypad to keypad mounting plate
	C000567	Screw	1 required for keypad mounting plate to control panel; 4 required for electrical box to mounting bracket
	F431024	Nut	1 required for keypad mounting plate to control panel
	C003024P	Keymode Switch Assembly	
	F200233700P	Emergency Stop Button Kit	Includes F200233500 E-Stop Pushbutton and F200233401 Contact Block Switch
	N/A	Nut	4 required for electrical box to mounting bracket
	C000571	Washer	4 required for electrical box to mounting bracket
	F430909	Screw	2 required for electrical box cover to electrical box; 1 required for ground connection to electrical box for models through 3/23/04; 2 required for ground connection to electrical box for models starting 3/23/04
	210/00902/00	Infrared Cable	
	C000865	Control Module Harness	
1	C000213	Front Electrical Enclosure	
2	C000371P	Chemical Supply Controller	2 required
3	C000348	Front Electrical Enclosure Cover	
4	C001276	Control Panel Decal	Models IPH125H, IPH140H, IPH140M, IPH570, IPH640, IP125PHN1, IP125PHN2, IP125PHQ1, IP125PHQ2, IP140PHN1, IP140PHQ1, IP140PMN1 and IP140PMQ1
	C001389	Control Panel Decal	Models CPC125H, CPC140H, CPC140M, CP125PHN1, CP125PHN2, CP125PHQ1, CP125PHQ2, CP140PHN1, CP140PHQ1, CP140PMN1 and CP140PMQ1
	C001069	Control Panel Decal	Models JP125PHN1, JP125PHN2, JP140PHN1, JP140PHQ1 and JP140PMQ1
5	C000432	Front Electrical Enclosure Assembly	Includes items 6-8, inner mounting bracket and hardware
6	C000282P	Keypad Controller	
7	C000376	Standoff	8 required
8	C000375	Mounting Bracket	
9	C000281P	Main Board Controller Kit	
10	C002104P	Water Level Transducer	
11	209/00505/04	Battery	
12	C002642P	Tilt Switch Assembly	
13	C002999	RC Network Assembly	
14	F330217P	RC Network Filter	

N/A = Part no longer available

Drive Box Assembly (Drawing 1 of 2)

Models CPC140H, CPC140M, IPH140H, IPH140M and IPH640
Models Through 7/1/06



PHM2745P_C002923

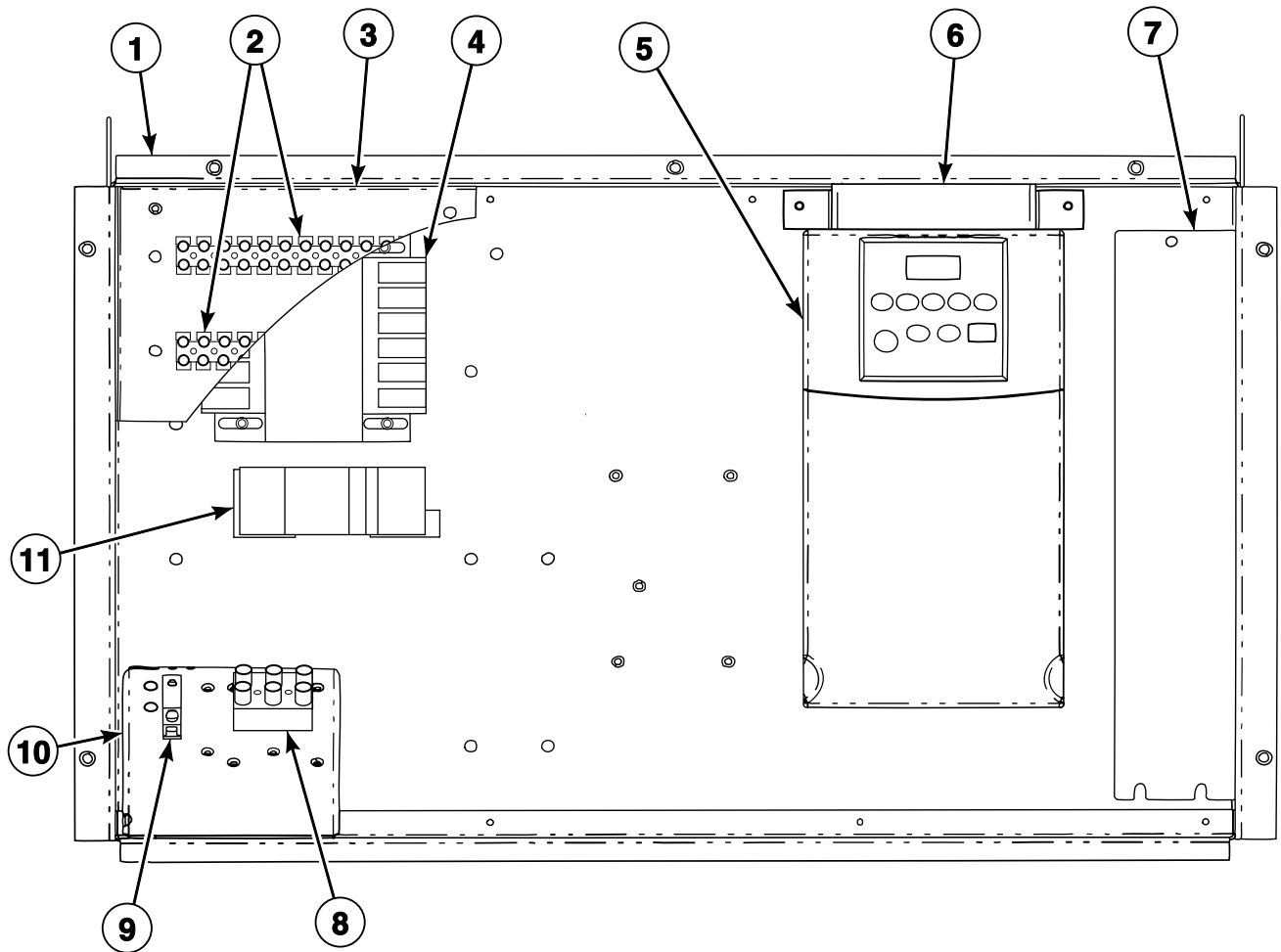
Drive Box Assembly (Drawing 1 of 2)

REF	PART NO.	DESCRIPTION	COMMENTS
	C000567	Screw	4 required for drive box to valve panel
	N/A	Nut	4 required for drive box to valve panel
	C000571	Washer	4 required for drive box to valve panel
	F430909	Screw	2 required for exhaust bracket to box; 4 required for chemical terminal mounting bracket to box; 4 required for AC drive to box; 4 required for EMI filter to box; 4 required for transformer to box; 2 required for ground lug to box
	F431133	Washer	4 required for AC drive to box; 4 required for EMI filter to box; 4 required for transformer to box
	C000575	Screw	2 required for input power block to box
	F430938	Screw	4 required for cooling fan to valve panel; 2 required for chemical signal terminal block to bracket
	C000568	Nut	4 required for cooling fan to valve panel; 2 required for chemical signal terminal block to bracket
	C002779	Chemical Supply Harness	
	C002780	Chemical Supply Harness	
	C002781	Chemical Supply Harness	
	C002570	Drive Box Harness	
1	C000373	Mounting Bracket	
2	C000370	Power Block Terminal	2 required
3	C000203	Transformer	
4	C000318	Thermostat	
5	C000324	Exhaust Bracket	
6	N/A	Inverter	200-240 Volt; Models CPC140M, IPH140M and IPH640 order C002884 160-series to PowerFlex 40 Drive Kit; Models CPC140H and IPH140H order C002886 160-series to PowerFlex 40 Drive Kit
	N/A	Inverter	380-480 Volt; Models CPC140M, IPH140M and IPH640 order C002885 160-series to PowerFlex 40 Drive Kit; Models CPC140H and IPH140H order C002887 160-series to PowerFlex 40 Drive Kit
7	F330284	EMI Filter	200-240 Volt; CE models
	F330283	EMI Filter	380-480 Volt; CE models
8	C001050	Drive Box Assembly	
9	C000290	Power Block Terminal	
10	N/A	Ground Lug Terminal	
11	N/A	Circuit Breaker	Design 1 models; 2 Amp; 200-240 Volt; Order C0978P3 Circuit Breaker Kit
	N/A	Circuit Breaker	Design 1 models; 1 Amp; 380-480 Volt; Order C0977P3 Circuit Breaker Kit
	C0977P3	Circuit Breaker Kit	380-480 Volt; Includes F350217 Circuit Breaker
	C0978P3	Circuit Breaker Kit	200-240 Volt; Included C003135 Circuit Breaker
	F350217	Circuit Breaker	Design 2 models or models that have been retrofitted with C0977P3 Circuit Breaker Kit; .5 Amp; 380-480 Volt
	C003135P	Circuit Breaker	Design 2 models or models that have been retrofitted with C0978P3 Circuit Breaker Kit; 1 Amp; 200-240 Volt

N/A = Part no longer available

Drive Box Assembly (Drawing 2 of 2)

Models Starting 7/1/06



PHM2831P_C002923

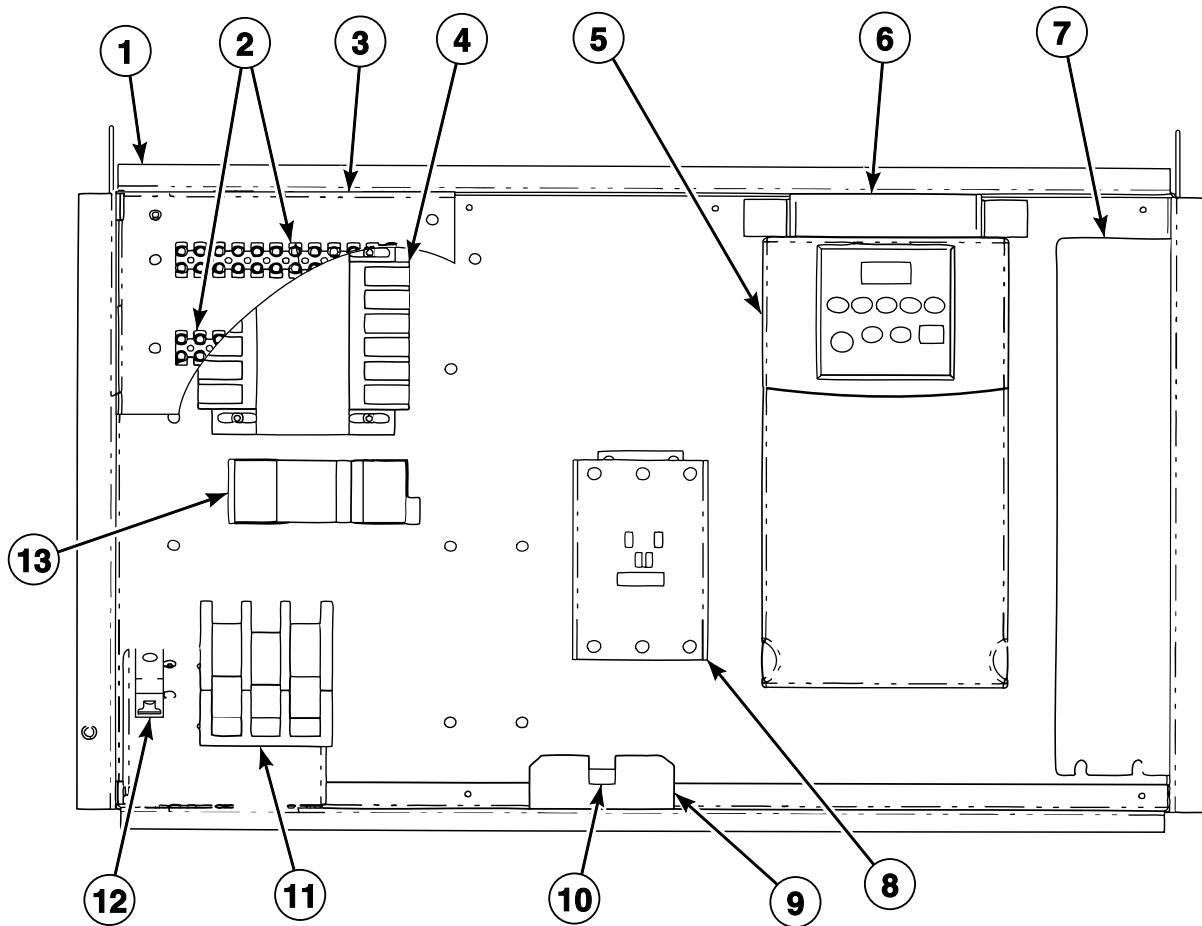
Drive Box Assembly (Drawing 2 of 2)

REF	PART NO.	DESCRIPTION	COMMENTS
	C000567	Screw	4 required for drive box to valve panel
	N/A	Nut	4 required for drive box to valve panel
	C000571	Washer	4 required for drive box to valve panel
	F430909	Screw	2 required for exhaust bracket to box; 3 required for chemical terminal mounting bracket to box; 4 required for AC drive to box; 4 required for EMI filter to box; 4 required for transformer to box; 2 required for ground lug to box
	F431133	Washer	4 required for AC drive to box
	C000575	Screw	2 required for input power block to box
	F430938	Screw	4 required for cooling fan to valve panel; 2 required for chemical signal terminal block to bracket
	C000568	Nut	4 required for cooling fan to valve panel; 2 required for chemical signal terminal block to bracket
	C002779	Chemical Supply Harness	Control box barrier to supply terminal block
	C002780	Chemical Supply Harness	Chemical supply board to control box barrier
	C002781	Chemical Supply Harness	Main control board to chemical supply board
	F140602	Tie Wrap Mounting Clamp	
	C002570	Drive Box Harness	
1	C002524	Drive Box Assembly	
2	C000370	Power Block Terminal	2 required if 12 chemical machine
3	C000373	Mounting Bracket	
4	C000203	Transformer	
5	C002501	Inverter	200-240 Volt; Models CPC140H, CPC140M, CP140PHN1, CP140PHQ1, CP140PMN1, CP140PMQ1, IPH140H, IPH140M, IPH640, IP140PHN1, IP140PHQ1, IP140PMN1, IP140PMQ1, JP140PHN1, JP140PHQ1 and JP140PMQ1
	N/A	Inverter	200-240 Volt; Models CPC125H, CP125PHN1, CP125PHQ1, IPH125H, IPH570, IP125PHN1, IP125PHQ1 and JP125PHN1; Order C003150 160-series to PowerFlex 40 Drive Kit
	C002505	Inverter	380-480 Volt; Models CPC140H, CPC140M, CP140PHN1, CP140PHQ1, CP140PMN1, CP140PMQ1, IPH140H, IPH140M, IPH640, IP140PHN1, IP140PHQ1, IP140PMN1, IP140PMQ1, JP140PHN1, JP140PHQ1 and JP140PMQ1
	N/A	Inverter	380-480 Volt; Models CPC125H, CP125PHN1, CP125PHQ1, IPH125H, IPH570, IP125PHN1, IP125PHQ1 and JP125PHN1; Order C003152 160-series to PowerFlex 40 Drive Kit
6	C002526	Exhaust Bracket	
7	F8054001	EMI Filter	200-240 Volt; CE models
	F8054002	EMI Filter	380-480 Volt; CE models
8	C000290	Power Block Terminal	
9	C001803	Ground Terminal Lug	
10	C001132	Terminal Bracket	
11	N/A	Circuit Breaker	Design 1 models; 2 Amp; 200-240 Volt; Order C0978P3 Circuit Breaker Kit
	N/A	Circuit Breaker	Design 1 models; 1 Amp; 380-480 Volt; Order C0977P3 Circuit Breaker Kit
	C0977P3	Circuit Breaker Kit	380-480 Volt; Includes F350217 Circuit Breaker
	C0978P3	Circuit Breaker Kit	200-240 Volt; Included C003135 Circuit Breaker
	F350217	Circuit Breaker	Design 2 models or models that have been retrofitted with C0977P3 Circuit Breaker Kit; .5 Amp; 380-480 Volt
	C003135P	Circuit Breaker	Design 2 models or models that have been retrofitted with C0978P3 Circuit Breaker Kit; 1 Amp; 200-240 Volt

N/A = Part no longer available

Electric Heat Drive Box Assembly

Models CPC140H, CPC140M, IPH140H, IPH140M and IPH640
Models Starting 7/1/06



PHM2843P_C002923

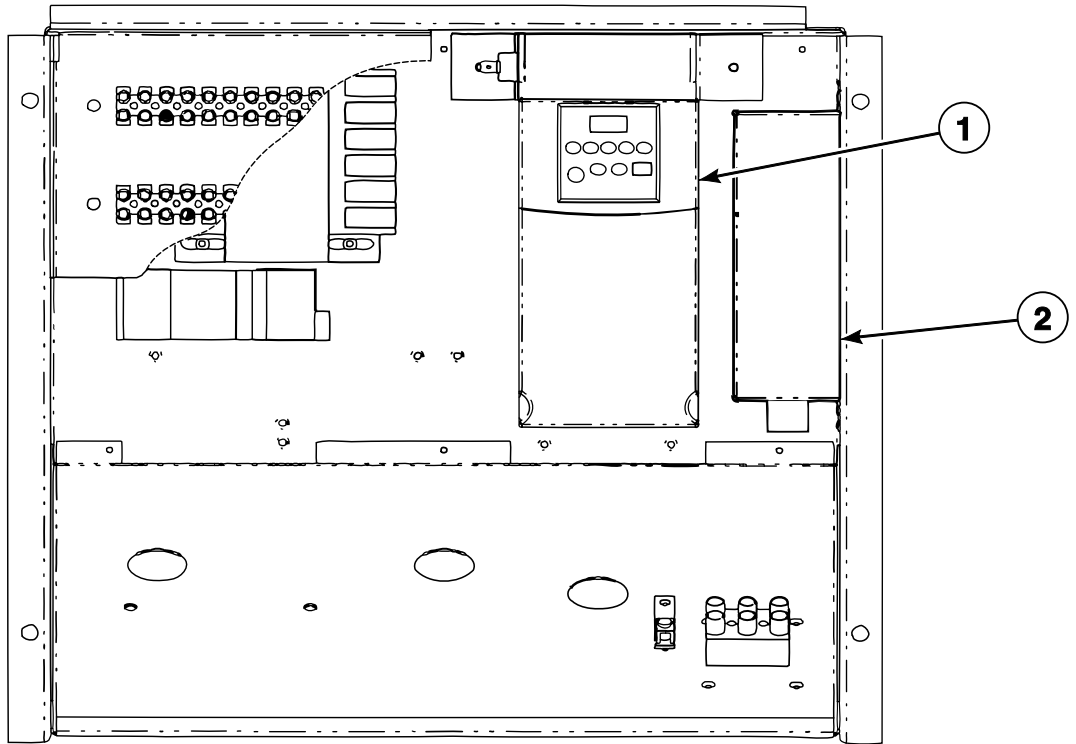
Electric Heat Drive Box Assembly

REF	PART NO.	DESCRIPTION	COMMENTS
	C000567	Screw	4 required for drive box to valve panel
	N/A	Nut	4 required for drive box to valve panel
	C000571	Washer	4 required for drive box to valve panel
	F430909	Screw	2 required for exhaust bracket to box; 3 required for chemical terminal mounting bracket to box; 4 required for AC drive to box; 4 required for EMI filter to box; 4 required for transformer to box; 2 required for ground lug to box
	F431133	Washer	4 required for AC drive to box
	C000575	Screw	2 required for input power block to box
	F430938	Screw	4 required for cooling fan to valve panel; 2 required for chemical signal terminal block to bracket
	C000568	Nut	4 required for cooling fan to valve panel; 2 required for chemical signal terminal block to bracket
	C002779	Chemical Supply Harness	Use with 12 chemical signal
	C002780	Chemical Supply Harness	Use with 12 chemical signal
	C002781	Chemical Supply Harness	Use with 12 chemical signal
	C002570	Drive Box Harness	
	C002830	Electric Heat Harness	400 Volt
	C002831P	Electric Heat Harness	200 Volt
	C002758	Electric Heat Harness	200-240 Volt
1	C002524	Drive Box Assembly	
2	C000370	Power Block Terminal	2 required if 12 chemical signal machine
3	C000373	Mounting Bracket	
4	C000203	Transformer	
5	C002501	Inverter	200-240 Volt
	C002505	Inverter	380-480 Volt
6	C002526	Exhaust Bracket	
7	F8054001	EMI Filter	200-240 Volt; CE models
	F8054002	EMI Filter	380-480 Volt; CE models
8	C002051	Contacto	200 Volt
	C000309P	Contacto	400 Volt
9	C001197	Fuse Holder	
10	C002096	Fuse	200 Volt
	C001195	Fuse	400 Volt
11	M413865	Terminal Block	
12	N/A	Ground Lug	
13	N/A	Circuit Breaker	Design 1 models; 2 Amp; 200-240 Volt; Order C0978P3 Circuit Breaker Kit
	N/A	Circuit Breaker	Design 1 models; 1 Amp; 380-480 Volt; Order C0977P3 Circuit Breaker Kit
	C0977P3	Circuit Breaker Kit	380-480 Volt; Includes F350217 Circuit Breaker
	C0978P3	Circuit Breaker Kit	200-240 Volt; Included C003135 Circuit Breaker
	F350217	Circuit Breaker	Design 2 models or models that have been retrofitted with C0977P3 Circuit Breaker Kit; .5 Amp; 380-480 Volt
	C003135P	Circuit Breaker	Design 2 models or models that have been retrofitted with C0978P3 Circuit Breaker Kit; 1 Amp; 200-240 Volt

N/A = Part no longer available

PowerFlex Drive and EMI Filter (Drawing 1 of 2)

Models CPC140H, CPC140M, IPH140H, IPH140M and IPH640



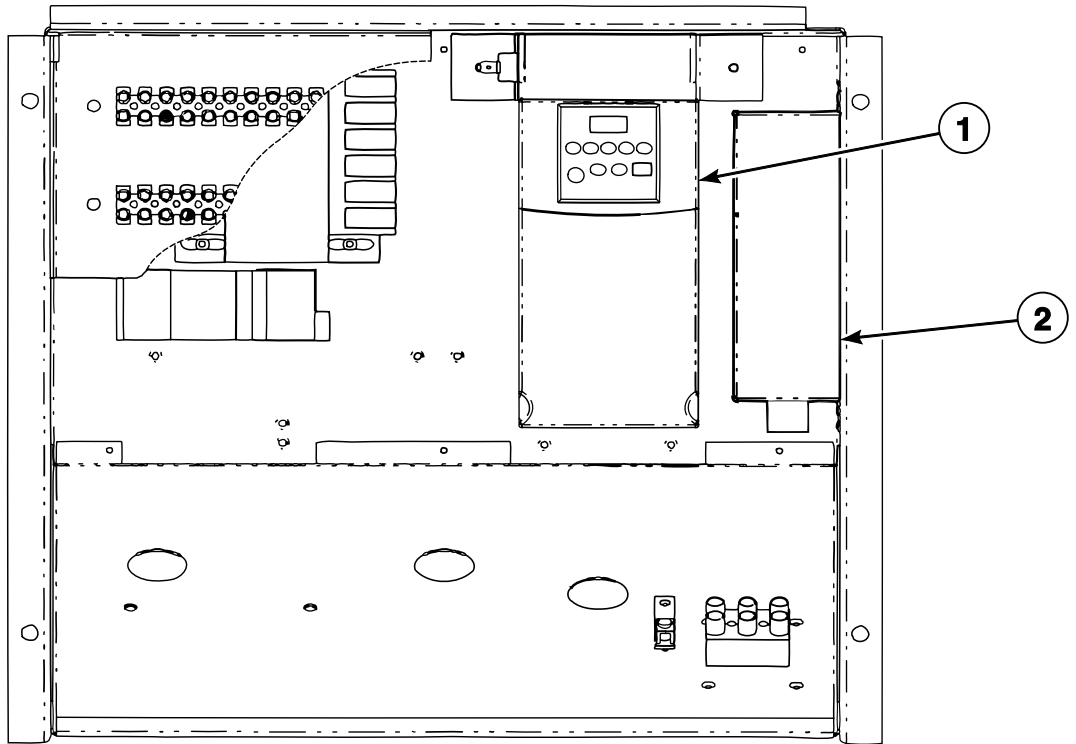
PHM3028P_C002923

PowerFlex Drive and EMI Filter (Drawing 1 of 2)

REF	PART NO.	DESCRIPTION	COMMENTS
	C002884	160-Series to PowerFlex 40 Drive Kit	200-240 Volt; Models CPC140M, IPH140M and IPH640; Includes F8168701 AC Drive, drive box assembly, wire harness, hardware and instructions
	C002885	160-Series to PowerFlex 40 Drive Kit	380-480 Volt; Models CPC140M, IPH140M and IPH640; Includes F8168702 AC Drive, drive box assembly, wire harness, hardware and instructions
	C002886	160-Series to PowerFlex 40 Drive Kit	200-240 Volt; Models CPC140H and IPH140H; Includes F8168701 AC Drive, drive box assembly, wire harness, hardware and instructions
	C002887	160-Series to PowerFlex 40 Drive Kit	380-480 Volt; Models CPC140H and IPH140H; Includes F8168702 AC Drive, drive box assembly, wire harness, hardware and instructions
1	C002890	PowerFlex 40 Drive	200-240 Volt; Models CPC140M, IPH140M and IPH640 that have been retrofitted with C002884 160-series to PowerFlex 40 Drive Kit; Includes F8168701 AC Drive
	C002891	PowerFlex 40 Drive	380-480 Volt; Models CPC140M, IPH140M and IPH640 that have been retrofitted with C002885 160-series to PowerFlex 40 Drive Kit; Includes F8168702 AC Drive
	C002892	PowerFlex 40 Drive	200-240 Volt; Models CPC140H and IPH140H that have been retrofitted with C002886 160-series to PowerFlex 40 Drive Kit; Includes F8168701 AC Drive
	C002893	PowerFlex 40 Drive	380-480 Volt; Models CPC140H and IPH140H that have been retrofitted with C002887 160-series to PowerFlex 40 Drive Kit; Includes F8168702 AC Drive
2	F8054001	EMI Filter	200-240 Volt
	F8054002	EMI Filter	380-480 Volt

PowerFlex Drive and EMI Filter (Drawing 2 of 2)

Models CPC125H, CP125PHN1, CP125PHN2, CP125PHQ1, CP125PHQ2, IPH125H, IPH570, IP125PHN1, IP125PHN2, IP125PHQ1, IP125PHQ2, JP125PHN1 and JP125PHN2



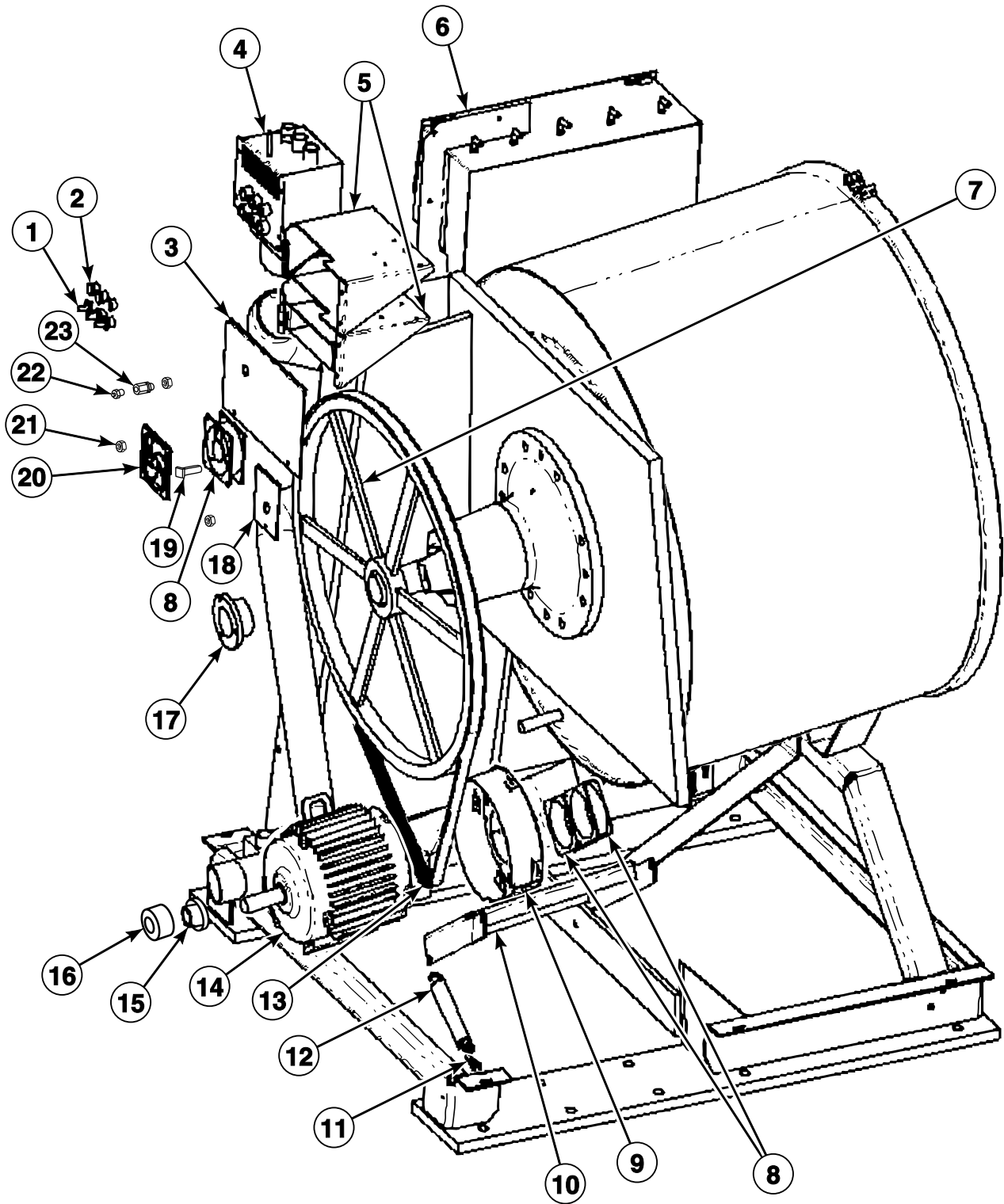
PHM3028P_C002923

PowerFlex Drive and EMI Filter (Drawing 2 of 2)

REF	PART NO.	DESCRIPTION	COMMENTS
	C003150	160-Series to PowerFlex 40 Drive Kit	200-240 Volt; Models CPC125H, CP125PHN1, CP125PHQ1, IPH125H, IPH570, IP125PHN1, IP125PHQ1 and JP125PHN1; Includes F8168703 AC Drive
	C003152	160-Series to PowerFlex 40 Drive Kit	380-480 Volt; Models CPC125H, CP125PHN1, CP125PHQ1, IPH125H, IPH570, IP125PHN1, IP125PHQ1 and JP125PHN1; Includes F8168704 AC Drive
1	C003149	PowerFlex 40 Drive	200-240 Volt; Models CPC125H, CP125PHN1, CP125PHQ1, IPH125H, IPH570, IP125PHN1, IP125PHQ1 and JP125PHN1 that have been retrofitted with C003150 160-series to PowerFlex 40 Drive Kit; Models CP125PHN2, CP125PHQ2, IP125PHN2, IP125PHQ2 and JP125PHN2; Includes F8168703 AC Drive
	C003151	PowerFlex 40 Drive	380-480 Volt; Models CPC125H, CP125PHN1, CP125PHQ1, IPH125H, IPH570, IP125PHN1, IP125PHQ1 and JP125PHN1 that have been retrofitted with C003152 160-series to PowerFlex 40 Drive Kit; Models CP125PHN2, CP125PHQ2, IP125PHN2, IP125PHQ2 and JP125PHN2; Includes F8168704 AC Drive
2	F8054001	EMI Filter	200-240 Volt
	F8054002	EMI Filter	380-480 Volt

Main Assembly (Drawing 1 of 10)

Models CPC140H and IPH140H
Models Through 3/23/04



PHM2846P_C002923

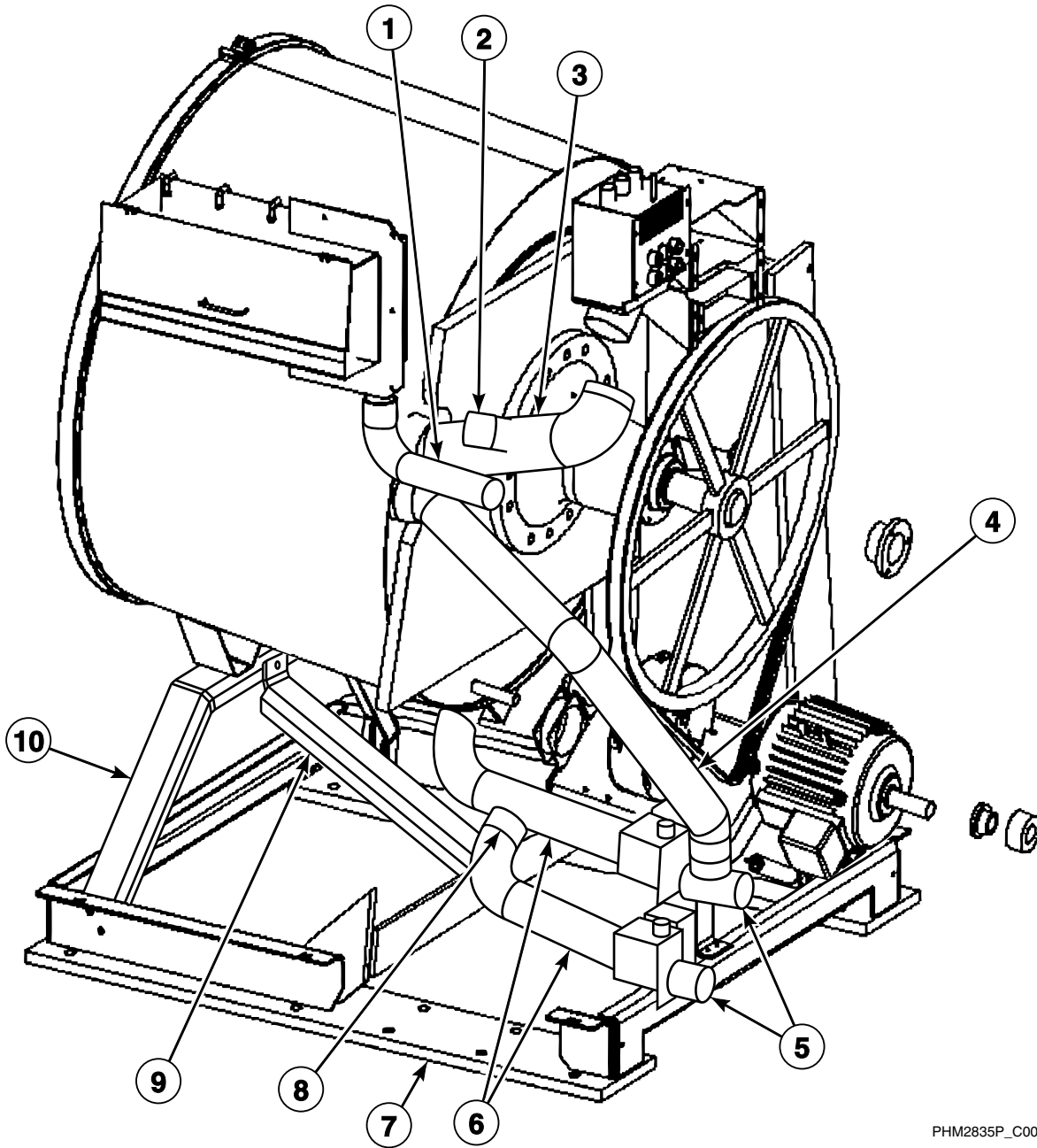
Main Assembly (Drawing 1 of 10)

REF	PART NO.	DESCRIPTION	COMMENTS
	F200222	Hose Clamp	4 required for inlet valve to vacuum breaker
	90554	Hose Clamp	1 required for air trap
	C000552	Hose	27 inch; Flush hose for vacuum breaker
	F430144	Screw	4 required for motor to motor plate
	C000556	Washer	8 required for motor to motor plate
	803017	Nut	4 required for motor to motor plate
	F430124	Screw	1 required for motor plate to frame
	C000612	Screw	1 required for motor plate to frame
	C000177	Washer	1 required for motor plate to frame
	C000583	Washer	2 required for motor plate to frame
	C000567	Screw	4 required for vacuum breaker to valve panel
	F431024	Nut	4 required for vacuum breaker to valve panel
	C002424	Motor Cable	
	C003319P	Pulley Alignment Tool	
1	C000680	Adapter	6 required
2	C000679	Vacuum Breaker Plug	6 required
3	C000173	Rear Electrical Enclosure Cover	
4	C000830	Vacuum Breaker Assembly	
5	C000891	Manifold Fill Tray Bracket	2 required
6	C000648	Side Dispenser Assembly	
7	C000685	Cylinder Pulley	
8	C000211	Fan	3 required
9	C001200	Dual Shroud Assembly	
10	C000766	Motor Bracket	
11	C000995	Spring Clip	
12	N/A	Belt Tension Spring	
13	N/A	Belt	
14	C000206P	Motor	
15	C000717	Motor Bushing	
16	C000884P	Motor Pulley	
17	C000841	Bushing	
18	N/A	Inlet Power Cover	
19	C000317	Circuit Breaker	
20	C000210	Fan Filter Guard Assembly	
21	F140527	Plug	3 required
22	N/A	Grease Fitting	2 required
23	N/A	Grease Coupling	2 required

N/A = Part no longer available

Main Assembly (Drawing 2 of 10)

Models CPC140H and IPH140H
Models Through 3/23/04



PHM2835P_C002923

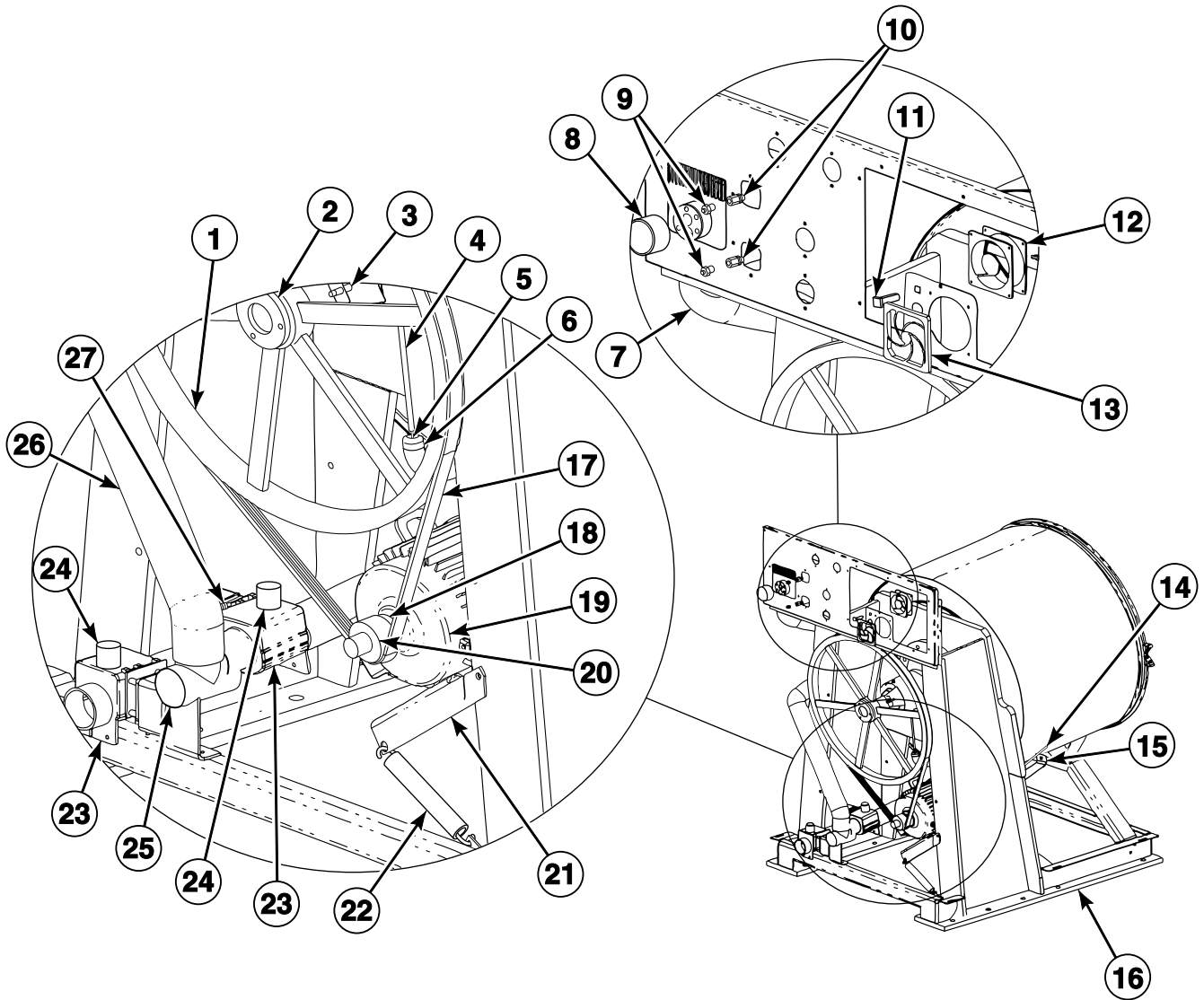
Main Assembly (Drawing 2 of 10)

REF	PART NO.	DESCRIPTION	COMMENTS
	C002636	Temperature Probe Assembly	
	C000510	Temperature Probe Grommet	
	C000610	Screw	2 required for drain valve to drain valve mounting bracket
	F431024	Nut	2 required for drain valve to drain valve mounting bracket
	C000585	Washer	2 required for drain valve to drain valve mounting bracket
	F200213	Hose Clamp	4 required for overflow hose
	F200201	Hose Clamp	4 required for drain hose
	C001029	Hose Clamp	4 required for fill inlet hose
	C002750	Drain Harness	
	C002618P	Double Fan Harness	
1	C000379	Supply Dispenser Hose	
2	C000972	Drain Assembly	
3	C000808	Water Inlet Hose	
4	C000807	Overflow Hose	
5	C000347	Drain Valve	2 required
6	C000411	Drain Hose	2 required
7	C000759	Frame Assembly	
8	N/A	Tee	
9	C000837	Shell Support Brace	
10	C000663	Lower Shell Support Bracket	

N/A = Part no longer available

Main Assembly (Drawing 3 of 10)

Models CPC140H, CP140PHN1, CP140PHQ1, IPH140H, IP140PHN1, IP140PHQ1, JP140PHN1 and JP140PHQ1
Models Starting 3/23/04



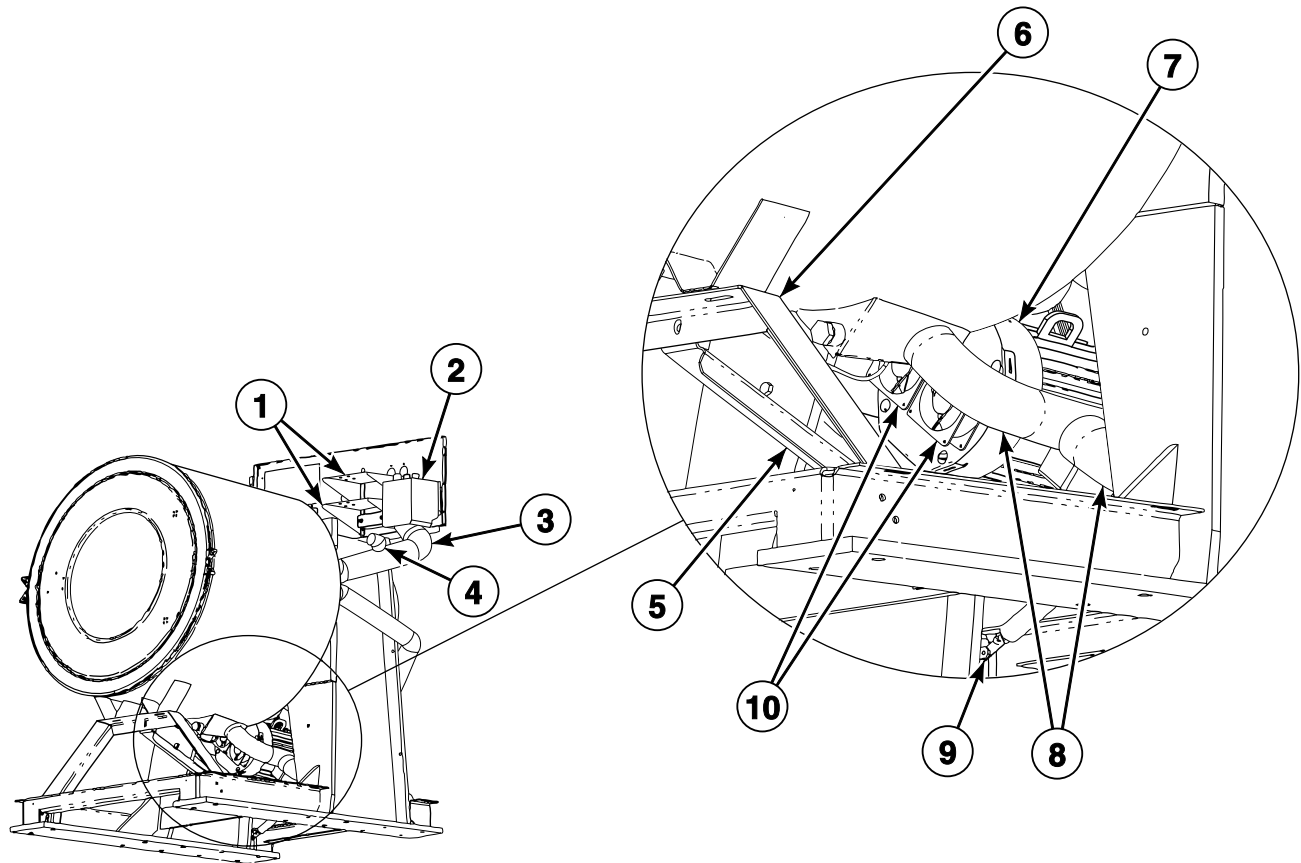
PHM2841P_C002923

Main Assembly (Drawing 3 of 10)

REF	PART NO.	DESCRIPTION	COMMENTS
	F430144	Screw	4 required for motor to motor plate
	C000556	Washer	8 required for motor to motor plate
	803017	Nut	4 required for motor to motor plate
	JA-51516	Screw	1 required for motor plate to frame
	C000612	Screw	2 required for motor plate to frame
	C000177	Washer	As required for motor plate to frame
	C000583	Washer	3 required for motor plate to frame
	C000610	Screw	2 required for drain valve to drain valve mounting bracket
	F431024	Nut	2 required for drain valve to drain valve mounting bracket
	C000585	Washer	2 required for drain valve to drain valve mounting bracket
	C000571	Washer	4 required for drain valve to drain valve mounting bracket
	F200213	Hose Clamp	4 required for overflow hose
	90554	Hose Clamp	1 required for air trap
	F200222	Hose Clamp	4 required for inlet valve to vacuum breaker
	C002750	Drain Harness	
	C002861	Dual Drain Harness	
	C002618P	Double Fan Harness	
	C002424	Motor Cable	
	C003295	Drain T	Models starting 3/6/13; Replaces use of C001649 Reducing Connector
	C003319P	Pulley Alignment Tool	
1	C000685	Cylinder Pulley	
2	C000841	Bushing	
3	C002637P	Proximity Switch Assembly	
4	C000599	Vacuum Breaker Hose	
5	C000662	Air Trap Tube	
6	C000654	Air Trap Tube Elbow	
7	C000808	Water Inlet Hose	
8	C001772	Vacuum Breaker Cover	
9	C000549	Grease Fitting	2 required
10	C001789	Connector	2 required
11	C000317	Circuit Breaker	
12	C000211	Fan	3 required
13	C000210	Fan Filter Guard Assembly	
14	C002636	Temperature Probe Assembly	
15	C000510	Temperature Probe Grommet	
16	C000759	Frame Assembly	
17	C001054P	Belt	
18	C000717	Motor Bushing	
19	C000206P	Motor	
20	C000884P	Motor Pulley	
21	C000766	Motor Bracket	
22	C001791	Belt Tension Spring	
23	C000347	Drain Valve	2 required
24	C001793	Cap	2 required
25	C002070	Drain Tee Bracket Weldment	
26	C000807	Overflow Hose	
27	C001649	Reducing Connector	

Main Assembly (Drawing 4 of 10)

Models CPC140H, CP140PHN1, CP140PHQ1, IPH140H, IP140PHN1, IP140PHQ1, JP140PHN1 and JP140PHQ1
Models Starting 3/23/04



PHM2834P_C002923

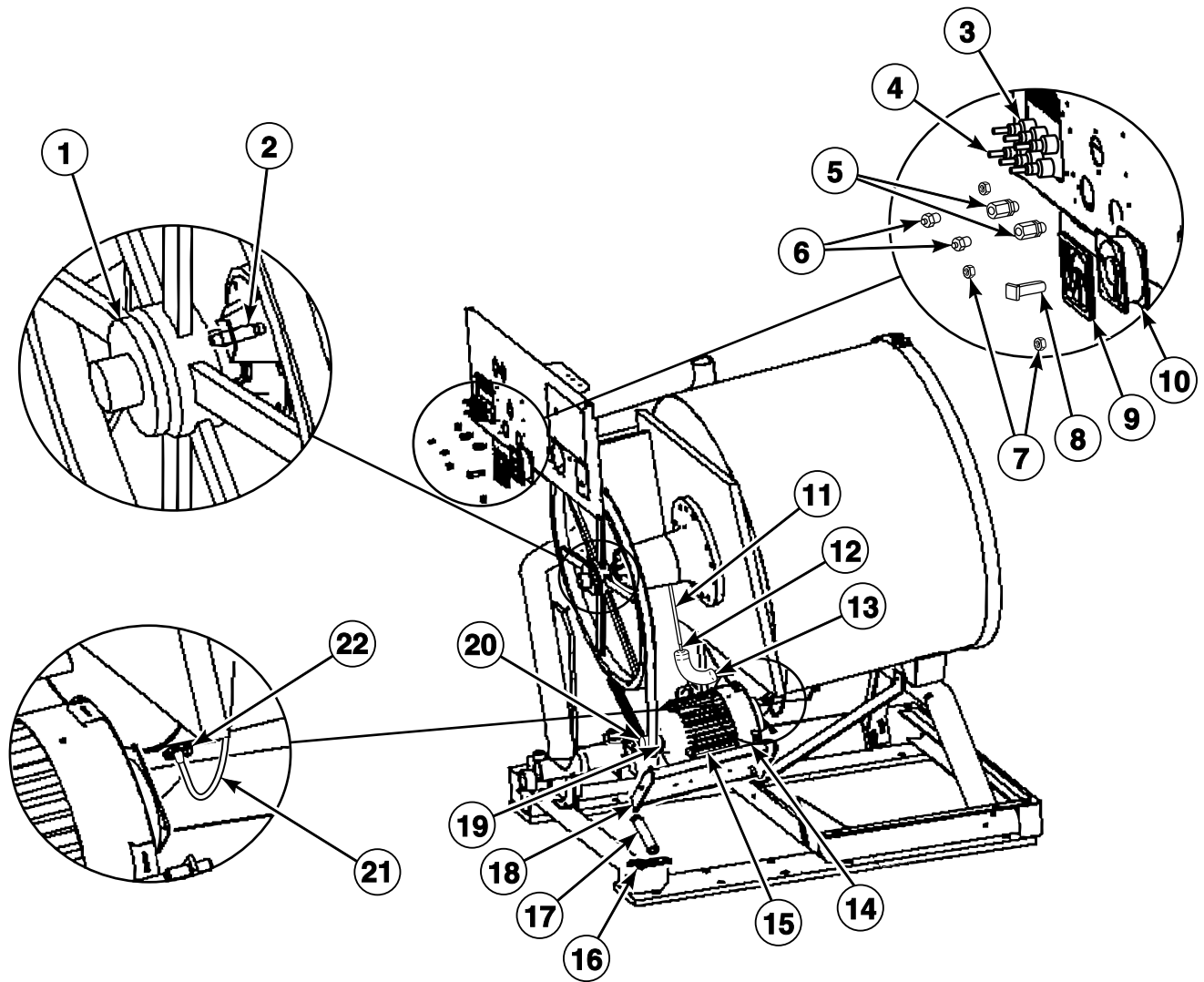
Main Assembly (Drawing 4 of 10)

REF	PART NO.	DESCRIPTION	COMMENTS
	C000567	Screw	4 required for vacuum breaker to valve panel
	N/A	Nut	4 required for vacuum breaker to valve panel
	F200201	Hose Clamp	4 required for drain hose
	C001029	Hose Clamp	4 required for fill inlet hose
	C000552	Hose	27 inch; Flush hose for vacuum breaker
1	C000891	Manifold Fill Tray Bracket	2 required; Models through 7/1/06
2	C001274	Vacuum Breaker Assembly	Models through 7/1/06
	C000830	Vacuum Breaker Assembly	Models starting 7/1/06
3	C000808	Water Inlet Hose	
4	C000972	Drain Assembly	
5	C000837	Shell Support Brace	
6	C000663	Lower Shell Support Bracket	
7	C001200	Dual Shroud Assembly	
8	C000411	Drain Hose	2 required
9	C000995	Spring Clip	
10	C000211	Fan	

N/A = Part no longer available

Main Assembly (Drawing 5 of 10)

Models CPC140M, IPH140M and IPH640
Models Through 3/23/04



PHM2847P_C002923

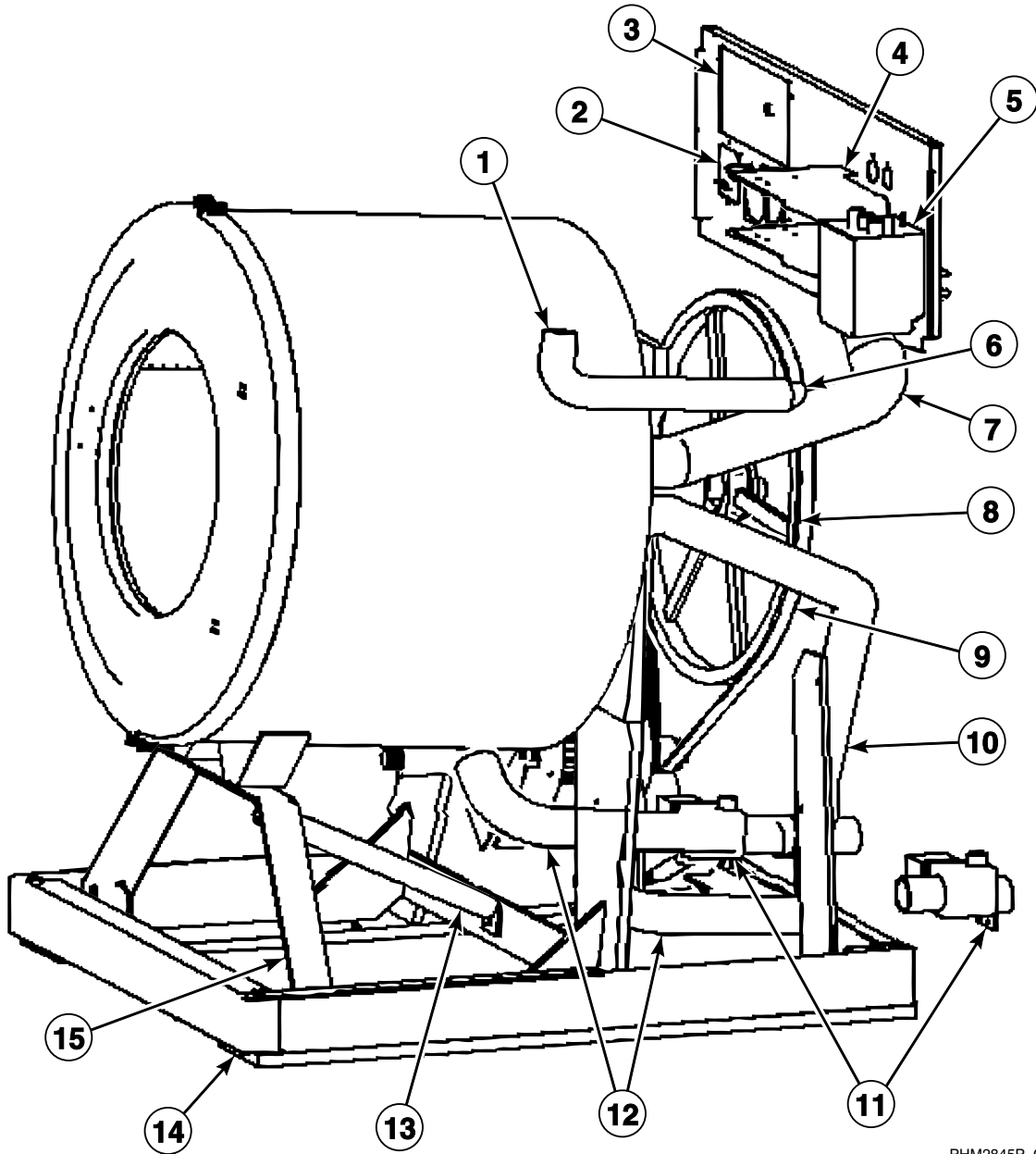
Main Assembly (Drawing 5 of 10)

REF	PART NO.	DESCRIPTION	COMMENTS
	90554	Hose Clamp	1 required for air trap
	F430144	Screw	4 required for motor to motor plate
	C000556	Washer	8 required for motor to motor plate
	803017	Nut	4 required for motor to motor plate
	F430124	Screw	1 required for motor plate to frame
	C000612	Screw	1 required for motor plate to frame
	C000177	Washer	1 required for motor plate to frame
	C000583	Washer	2 required for motor plate to frame
	C002424	Motor Cable	
1	C000223P	Cylinder Bushing	
2	C002637P	Proximity Switch Assembly	
3	C000679	Vacuum Breaker Plug	
4	C000680	Adapter	
5	N/A	Grease Coupling	
6	N/A	Grease Fitting	
7	F140527	Plug	
8	C000317	Circuit Breaker	
9	C000210	Fan Filter Guard Assembly	
10	C000211	Fan	2 required
11	C000599	Vacuum Breaker Hose	
12	C000662	Air Trap Tube	
13	C000654	Air Trap Tube Elbow	
14	C001201	Single Shroud Assembly	
15	C000206P	Motor	
16	C000995	Spring Clip	
17	N/A	Belt Tension Spring	
18	C000766	Motor Bracket	
19	C000717	Motor Bushing	
20	C000884P	Motor Pulley	
21	C002636	Temperature Probe Assembly	
22	C000510	Temperature Probe Grommet	

N/A = Part no longer available

Main Assembly (Drawing 6 of 10)

Models CPC140M, IPH140M and IPH640
Models Through 3/23/04



PHM2845P_C002923

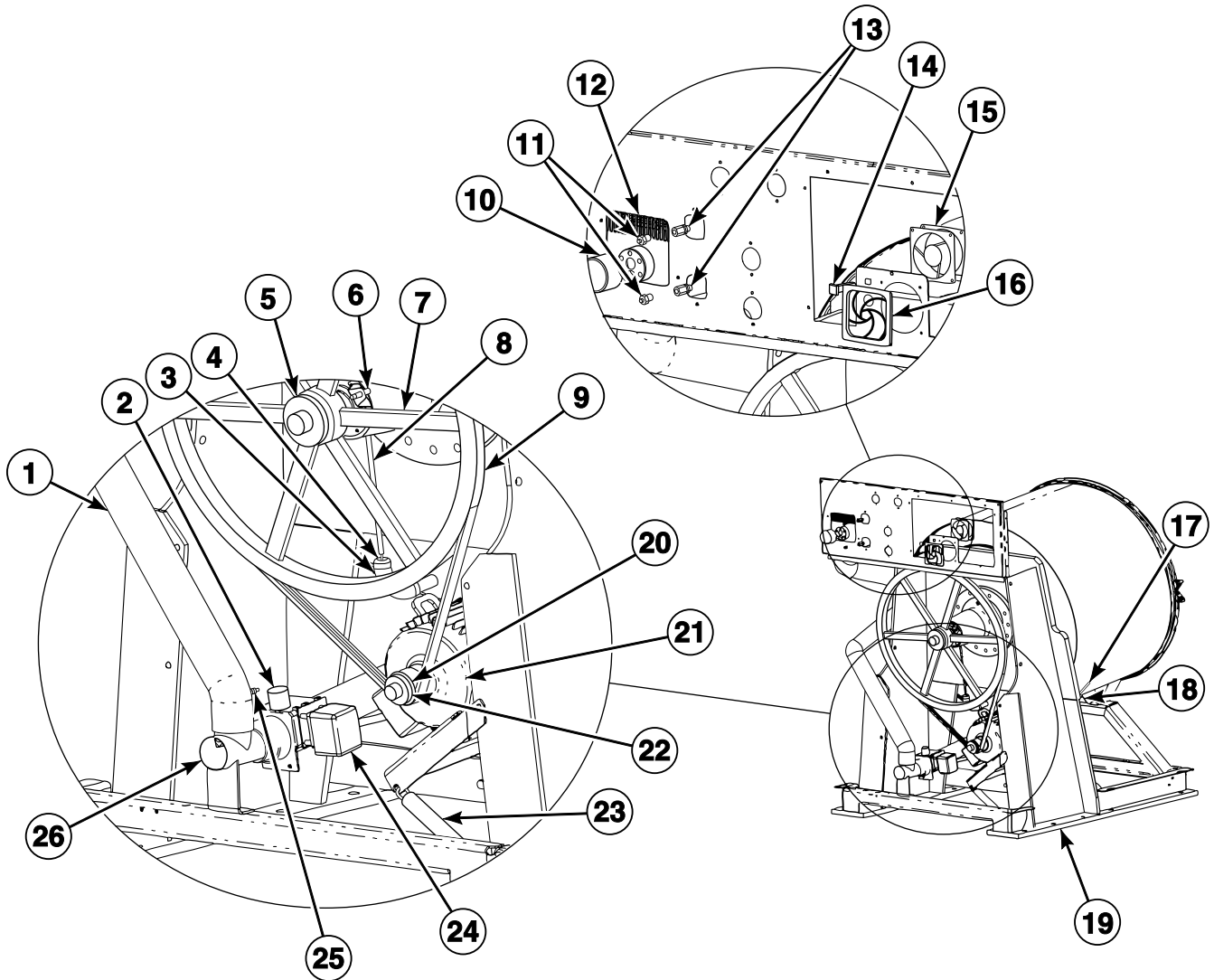
Main Assembly (Drawing 6 of 10)

REF	PART NO.	DESCRIPTION	COMMENTS
	C000567	Screw	4 required for vacuum breaker to valve panel
	F431024	Nut	4 required for vacuum breaker to valve panel; 2 required for drain valve to drain valve mounting bracket
	C000610	Screw	2 required for drain valve to drain valve mounting bracket
	C000585	Washer	2 required for drain valve to drain valve mounting bracket
	F200222	Hose Clamp	4 required for inlet valve to vacuum breaker
	F200213	Hose Clamp	4 required for overflow hose
	F200201	Hose Clamp	2 required for drain hose
	C001029	Hose Clamp	4 required for fill inlet hose
	C000552	Hose	27 inch; Flush hose for vacuum breaker
	C002750	Drain Harness	
	C002617P	Single Fan Harness	
	C003318P	Pulley Alignment Tool	
1	C000414	Supply Dispenser Hose	
2	N/A	Inlet Power Cover	
3	C000173	Rear Electrical Enclosure Cover	
4	C000891	Manifold Fill Tray Bracket	2 required
5	C000830	Vacuum Breaker Assembly	
6	C000972	Drain Assembly	
7	C000808	Water Inlet Hose	
8	C000685	Cylinder Pulley	
9	N/A	Belt	
10	C000807	Overflow Hose	
11	C000347	Drain Valve	2 required
12	C000411	Drain Hose	2 required
13	C000837	Shell Support Brace	
14	C000879	Frame Assembly	
15	C000663	Lower Shell Support Bracket	

N/A = Part no longer available

Main Assembly (Drawing 7 of 10)

Models CPC140M, CP140PMN1, CP140PMQ1, IPH140M, IPH640, IP140PMN1, IP140PMQ1 and JP140PMQ1
Models Starting 3/23/04



PHM2837P_C002923

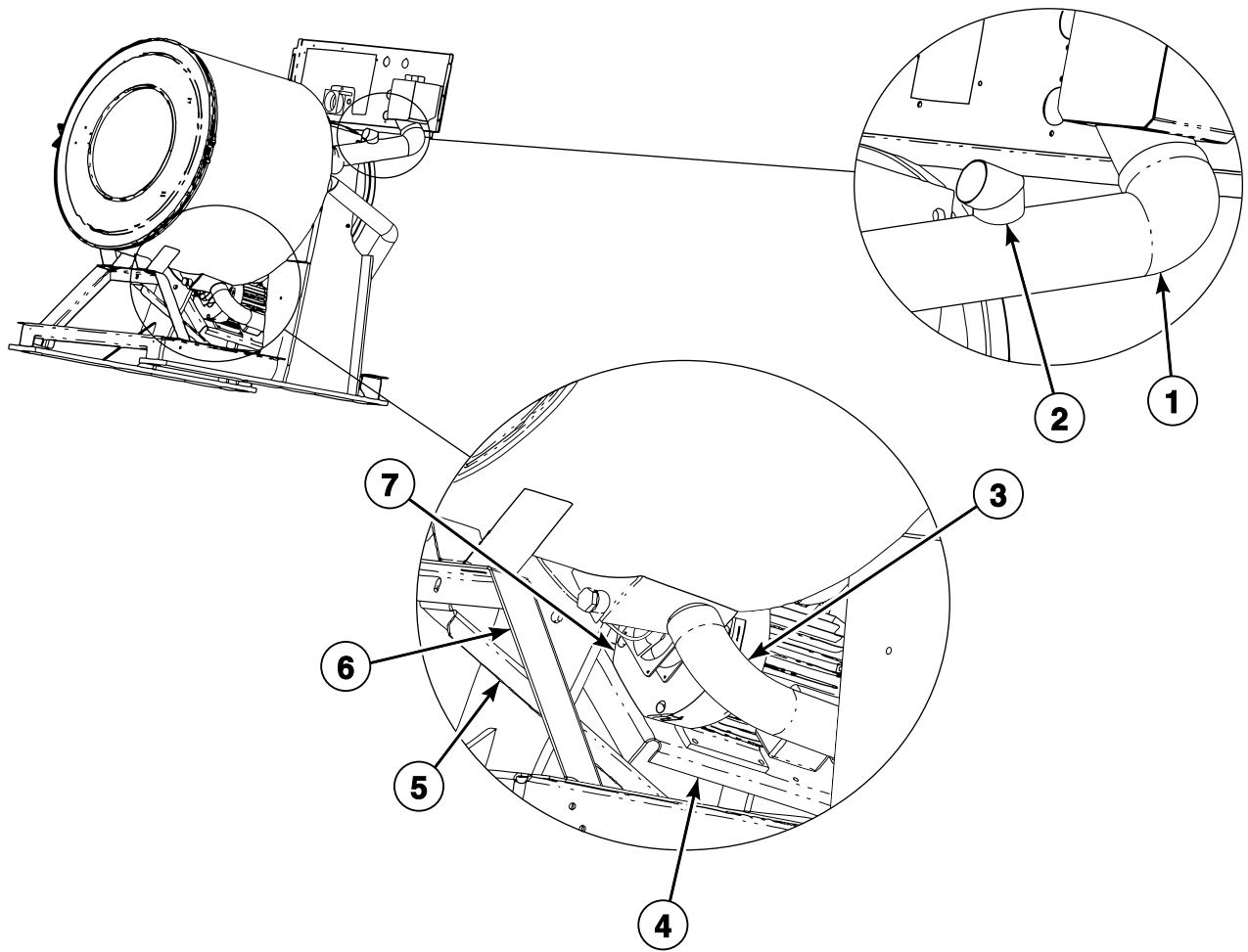
Main Assembly (Drawing 7 of 10)

REF	PART NO.	DESCRIPTION	COMMENTS
	F430144	Screw	4 required for motor to motor plate
	C000556	Washer	8 required for motor to motor plate
	803017	Nut	4 required for motor to motor plate
	JA-51516	Screw	1 required for motor plate to frame
	C000612	Screw	2 required for motor plate to frame
	C000177	Washer	As required for motor plate to frame
	C000583	Washer	3 required for motor plate to frame
	F200213	Hose Clamp	4 required for overflow hose
	90554	Hose Clamp	1 required for air trap
	F200222	Hose Clamp	4 required for inlet valve to vacuum breaker
	C000567	Screw	4 required for vacuum breaker to valve panel
	N/A	Nut	4 required for vacuum breaker to valve panel
	C000610	Screw	2 required for drain valve to drain valve mounting bracket
	F431024	Nut	2 required for drain valve to drain valve mounting bracket
	C000585	Washer	2 required for drain valve to drain valve mounting bracket
	C000571	Washer	4 required for drain valve to drain valve mounting bracket
	C000552	Hose	27 inch; Flush hose for vacuum breaker
	C002750	Drain Harness	
	C002861	Dual Drain Harness	
	C002617P	Single Fan Harness	
	C002424	Motor Cable	
	C003295	Drain T	Models starting 3/6/13; Replaces use of C001649 Reducing Connector
	C003318P	Pulley Alignment Tool	
1	C000807	Overflow Hose	
2	C001793	Cap	
3	C000654	Air Trap Tube Elbow	
4	C000662	Air Trap Tube	
5	C000223P	Cylinder Bushing	
6	C002637P	Proximity Switch Assembly	
7	C000685	Cylinder Pulley	
8	C000599	Vacuum Breaker Hose	
9	C001054P	Belt	
10	C001772	Vacuum Breaker Cover	
11	C000549	Grease Fitting	2 required
12	C000830	Vacuum Breaker Assembly	
13	C001789	Connector	2 required
14	C000317	Circuit Breaker	
15	C000211	Fan	2 required
16	C000210	Fan Filter Guard Assembly	
17	C002636	Temperature Probe Assembly	
18	C000510	Temperature Probe Grommet	
19	C000879	Frame Assembly	
20	C000884P	Motor Pulley	
21	C000206P	Motor	
22	C000717	Motor Bushing	
23	C001791	Belt Tension Spring	
	C000995	Spring Clip	
24	C000347	Drain Valve	
25	C001649	Reducing Connector	
26	C002070	Drain Tee Bracket Weldment	

N/A = Part no longer available

Main Assembly (Drawing 8 of 10)

Models CPC140M, CP140PMN1, CP140PMQ1, IPH140M, IPH640, IP140PMN1, IP140PMQ1 and JP140PMQ1
Models Starting 3/23/04



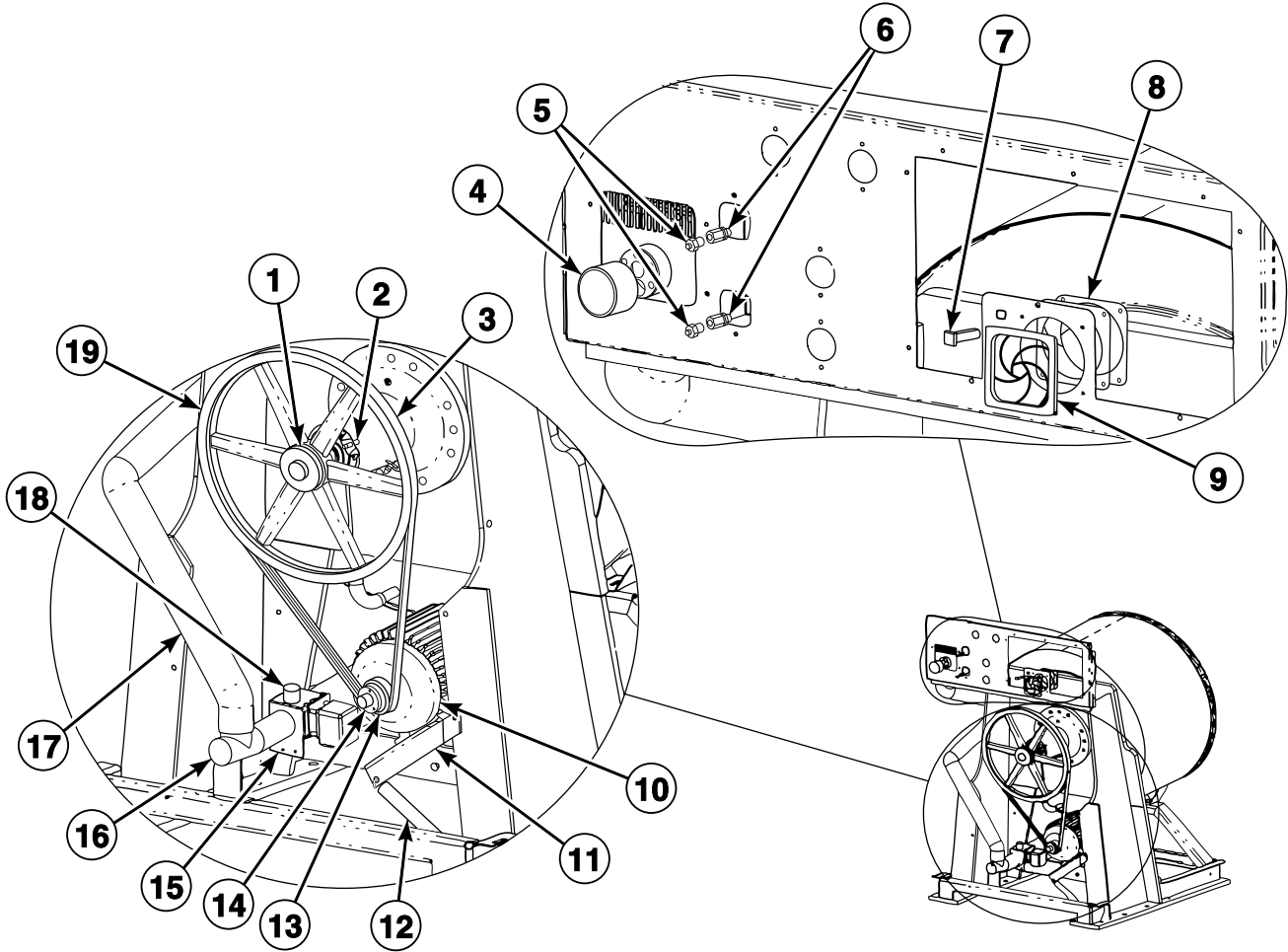
PHM2833P_C002923

Main Assembly (Drawing 8 of 10)

REF	PART NO.	DESCRIPTION	COMMENTS
	F200201	Hose Clamp	4 required for drain hose
	C001029	Hose Clamp	4 required for fill inlet hose
1	C000808	Water Inlet Hose	
2	C000972	Drain Assembly	
3	C000411	Drain Hose	
4	C000766	Motor Bracket	
5	C000837	Shell Support Brace	
6	C000663	Lower Shell Support Bracket	
7	C001201	Single Shroud Assembly	

Main Assembly (Drawing 9 of 10)

Models CPC125H, CP125PHN1, CP125PHN2, CP125PHQ1, CP125PHQ2, IPH125H, IPH570, IP125PHN1, IP125PHN2, IP125PHQ1, IP125PHQ2, JP125PHN1 and JP125PHN2



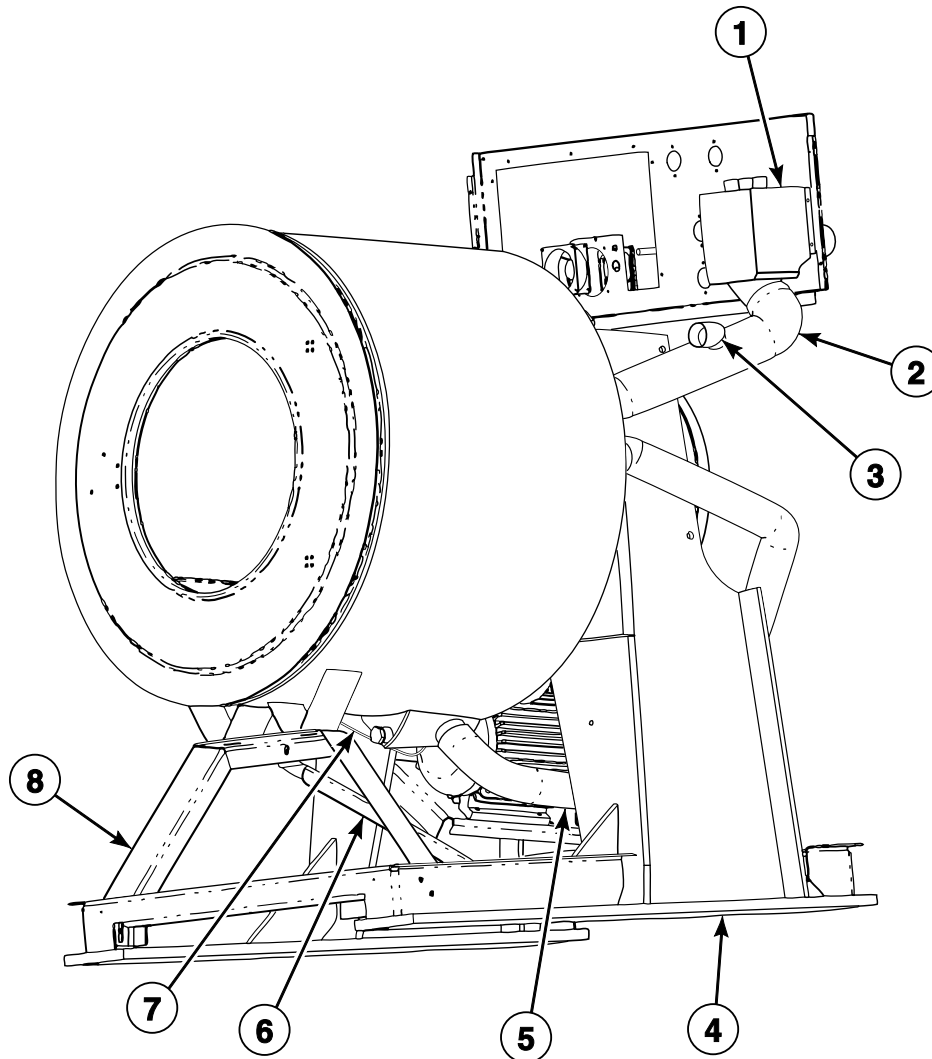
PHM2836P_C002923

Main Assembly (Drawing 9 of 10)

REF	PART NO.	DESCRIPTION	COMMENTS
	F200213	Hose Clamp	4 required for overflow hose
	F430993	Screw	4 required for motor to motor plate
	C000556	Washer	8 required for motor to motor plate
	803017	Nut	4 required for motor to motor plate
	F430124	Screw	1 required for motor plate to frame
	C000612	Screw	2 required for motor plate to frame
	C000177	Washer	As required for motor plate to frame
	C000583	Washer	3 required for motor plate to frame
	C000610	Screw	2 required for drain valve to drain valve mounting bracket
	F431024	Nut	2 required for drain valve to drain valve mounting bracket
	C000585	Washer	2 required for drain valve to drain valve mounting bracket
	C000571	Washer	4 required for drain valve to drain valve mounting bracket
	C002424	Motor Cable	Use with 801792 Fitting; 3 required of F140761 Splice Connector and F140762 Splice Insulator Cap
	C003317P	Pulley Alignment Tool	
1	C000223P	Cylinder Bushing	
2	C002637P	Proximity Switch Assembly	
3	C002545	Belt	
4	C001772	Vacuum Breaker Cover	
5	J1408004	Connector	2 required
6	C001789	Connector	2 required
7	C000317	Circuit Breaker	
8	C000211	Fan	
9	C000210	Fan Filter Guard Assembly	
10	C002199	Motor	3 required of F140761 Splice Connector and F140762 Splice Insulator Cap
11	C000766	Motor Bracket	
12	C001791	Belt Tension Spring	
13	C000884P	Motor Pulley	
14	C000717	Motor Bushing	
15	C000347	Drain Valve	
16	C002070	Drain Tee Bracket Weldment	
17	C000807	Overflow Hose	
18	C001793	Cap	
19	C002546	Cylinder Pulley	

Main Assembly (Drawing 10 of 10)

Models CPC125H, CP125PHN1, CP125PHN2, CP125PHQ1, CP125PHQ2, IPH125H, IPH570, IP125PHN1, IP125PHN2, IP125PHQ1, IP125PHQ2, JP125PHN1 and JP125PHN2



PHM2840P_C002923

Main Assembly (Drawing 10 of 10)

REF	PART NO.	DESCRIPTION	COMMENTS
	C000567	Screw	4 required for vacuum breaker to valve panel
	N/A	Nut	4 required for vacuum breaker to valve panel
	F200222	Hose Clamp	4 required for inlet valve to vacuum breaker
	90554	Hose Clamp	1 required for air trap
	C000628P	Tubing	29 inch; For 1 cup supply dispenser; Flush hose for vacuum breaker
	C000552	Hose	29 inch; For 5 cup supply dispenser; Flush hose for vacuum breaker
	C001029	Hose Clamp	4 required for fill inlet hose
	F200201	Hose Clamp	4 required for drain hose
	C000679	Vacuum Breaker Plug	6 required; Use with old style vacuum breaker
	C000680	Adapter	6 required; Use with old style vacuum breaker
1	C002518	Vacuum Breaker Assembly	
2	C000808	Water Inlet Hose	
3	C000972	Drain Assembly	
4	C002302	Frame Assembly	
5	C000411	Drain Hose	
6	C002311	Shell Support Brace	
7	C002636	Temperature Probe Assembly	
	C000510	Temperature Probe Grommet	
8	C000663	Lower Shell Support Bracket	

N/A = Part no longer available

Parts Index

A

Adapter	
C000424	51, 53, 55, 57, 59, 63, 65
C000680	95, 103, 113
Air Trap Tube	
C000662	79, 99, 103, 107
Air Trap Tube Elbow	
C000654	79, 99, 103, 107
Auxiliary Plumbing Assembly	
C001145	67
C001273	69
C002397	71

B

Backup Seal Plate	
C001914	15
Battery	
209/00505/04	83
Bearing	
F100155	15
Bearing Housing	
C000155	19
C000672	15
Bearing Housing Assembly	
C000154P	19, 21, 25
C000673P	15, 17, 23
C001946	17, 21, 23, 25
Bearing Housing Puller Kit	
1390P	17, 21, 23, 25
1390-1	17, 21, 23, 25
Bearing Lubrication Decal	
C000508	9, 13
Belt	
C001054P	99, 107
C002545	111
Belt Tension Spring	
C001791	99, 107, 111
Blind Rivet	
J1111905	49
Bolt	
C000180	43, 45
C000273	79, 81
C000430	47, 49
C000559	43, 45
C000561	43, 45, 47, 49, 79
C001784	43, 45
C001785	43, 45
Bushing	
C000841	95, 99

C

Cabinet Stiffener	
C002018	29, 33
Cap	
C001793	99, 107, 111

Carb Bearing	
C000163	19
C000762	15
Chemical Supply Controller	
C000371P	83
Chemical Supply Harness	
C002779	85, 87, 89
C002780	85, 87, 89
C002781	85, 87, 89
Circuit Breaker	
C000317	95, 99, 103, 107, 111
C003135P	85, 87, 89
F350217	85, 87, 89
Circuit Breaker Kit	
C0977P3	85, 87, 89
C0978P3	85, 87, 89
Clean Filter Daily Decal	
F200061000	13
Coil	
F8514701	59, 65, 73
Cold Plumbing Assembly	
C002563	59
C002564	65
Cold Plumbing Assembly, 5 Cup	
C000898	55
C002538	57
Cold Water Valve Decal	
F231368	9
Connector	
C001789	99, 107, 111
J1408004	17, 21, 23, 25, 111
Contactora	
C000309P	89
C002051	89
Control Box Cover	
C000875	27
Control Module Harness	
C000865	83
Control Mounting Bracket	
C000874	27
Control Panel Decal	
C001069	83
C001276	83
C001389	83
Coupling	
C000420	59
C001143	67, 69, 71
Cover Decal	
F200318200	9, 11
Cross	
C002166	59
Cylinder Assembly Kit	
C000785P	35, 37
C000883P	35, 37
C002307P	37
Cylinder Bolt Shroud	
C001238	37
Cylinder Bushing	
C000223P	103, 107, 111
Cylinder Pulley	
C000685	95, 99, 105, 107
C002546	111

N/A items do not appear in index.

Cylinder Shaft	
C000157	19
C000674	15

D

Diaphragm and Guide Kit	
G582P3	51, 53, 55, 57, 59, 63, 65
DIN Coil	
F380986P	59, 65
F380987P	59, 65
DIN Valve Adapter Kit	
F8382301	59, 65, 73
DIN Valve Kit	
F8521901	59, 65, 73
Disconnect Power Warning Label	
505281	11
Dispenser Door Handle	
C001788	39, 41
Door	
C000710	43, 45
Door Assembly	
C000748P	43, 45
Door Bumper	
C001546	43, 45
Door Glass	
C000749	43, 45
Door Glass Gasket	
C000750	43, 45
Door Glass Retainer	
C000751MD	43, 45
Door Handle	
C000028P	43
C001679P	43, 45
Door Handle Bushing	
C000181	43, 45
Door Handle Hinge Weldment	
C000470	43, 45
Door Handle Spring Bushing	
C000192	43, 45
Door Handle Torsion Spring	
C001786	43, 45
Door Hinge	
C000752	43, 45
Door Hinge Bushing	
C000176	43, 45
Door Latch	
C001244	47, 49
Door Lock Catch	
C000185	47, 49
Door Lock Cover	
C000688	47, 49
Door Lock Harness	
C000867P	47, 49
Door Lock Kit	
C001036M	47
C002996M	47, 49
Door Lock Microswitch	
C000278	47, 49
Door Lock Plate	
C000684	47, 49

Door Lock Slide Spring	
C000276	47, 49
Door Lock Solenoid	
C000184P	47, 49
Door Lock Solenoid Bracket	
C003022	47, 49
Door Lock Spring	
B12351001	49
Door Lock Spring Cover	
C000687	47, 49
Door Lock Switch Slide	
C000271	47, 49
Door Magnet Mounting Bracket	
C002994	45
Door Release Decal	
C000694	11, 13
Door Seal	
253/00162/02	43, 45
Double Fan Harness	
C002618P	97, 99
Drain Assembly	
C000972	97, 101, 105, 109, 113
Drain Bracket	
C000410	59
Drain Harness	
C002750	97, 99, 105, 107
Drain Hose	
C000411	97, 101, 105, 109, 113
Drain T	
C003295	99, 107
Drain Tee Bracket Weldment	
C002070	99, 107, 111
Drain Valve	
C000347	97, 99, 105, 107, 111
Drive and Power Enclosure Cover	
C002527	33
Drive Box Assembly	
C001050	85
C002524	33, 87, 89
Drive Box Harness	
C002570	85, 87, 89
Dual Drain Harness	
C002861	99, 107
Dual Shroud Assembly	
C001200	95, 101

E

Electric Heat Harness	
C002758	89
C002830	89
C002831P	89
Electric Shock Danger Label	
F8115501	13
Electrical Shock Label	
502511	11
Emergency Stop Button Kit	
F200233700P	83
EMI Filter	
F330283	85
F330284	85
F8054001	87, 89, 91, 93
F8054002	87, 89, 91, 93

N/A items do not appear in index.

Exhaust Bracket	
C000324	85
C002526	87, 89
External Supply Connection Decal	
F230917-1	9
F8150201	13

F

Fan	
C000211	95, 99, 101, 103, 107, 111
Fan Filter Guard Assembly	
C000210	95, 99, 103, 107, 111
Flange and Nipple Assembly	
C001366	59, 65, 73
Frame Assembly	
C000759	97, 99
C000879	105, 107
C002302	113
Front Bearing Lip Seal	
C000761	15
Front Electrical Enclosure	
C000213	83
Front Electrical Enclosure Assembly	
C000432	83
Front Electrical Enclosure Cover	
C000348	83
Front Panel Assembly	
C002972	31
C002973	27, 29, 31
Front Skirt Panel	
C000316	29, 31
Front Top Panel Assembly	
C002986	27, 29, 31
Fuse	
C001195	89
C002096	89
Fuse Holder	
C001197	89

G

Gasket	
C001705	19
Grease Connector Box	
C000539	27, 29, 33
Grease Fitting	
C000549	99, 107
Grease Shield	
C000167	19
C000171	19
C000758	15
Ground Terminal Lug	
C001803	87

H

Hardware Kit	
C002023	17, 21, 23, 25
Hinge	
C001787	39, 41

Hinge Block	
C000175	43, 45
Hose	
C000552	15, 17, 19, 21, 23, 25, 39, 41, 65, 73, 95, 101, 105, 107, 113
C001011	51, 53, 55, 57, 61, 63, 67, 69, 71, 75
Hose Barb	
C000899	51, 53, 55, 57, 61, 63, 67, 69, 71, 75
F421951	59, 65, 73
Hose Clamp	
C001029	97, 101, 105, 109, 113
F200201	39, 41, 97, 101, 105, 109, 113
F200213	97, 99, 105, 107, 111
F200222	95, 99, 105, 107, 113
36801	15, 17, 19, 21, 23, 25, 41
90554	95, 99, 103, 107, 113
Hot Plumbing Assembly	
C000897	51
C001665	53
C002539	75
C002565	73
Hot Surface Warning Decal	
F200085000	9, 13
F231380	11
Hot Surface Warning Plate	
F8211901	13
Hot Water and Chemical Caution Decal	
F200085300	9, 13
Hot Water Valve Decal	
F231367	9

I

Infrared Cable	
210/00902/00	83
Inlet Valve Harness	
C002609P	53, 61, 63, 65
C002612P	51, 55, 57, 59
Insert Rail	
C001015	27, 29, 31
Inverter	
C002501	87, 89
C002505	87, 89

J

Jump Wire	
C003291	47, 49

K

Keymode Switch Assembly	
C003024P	83
Keypad Controller	
C000282P	83

L

Left Rear Side Panel Assembly	
C002960	33

N/A items do not appear in index.

Lip Seal	
C000332	19
Logo Decal	
C001038	11
Lower Front Panel	
C000819	27, 29, 31
C002912	31
C003081	31
Lower Shell Support Bracket	
C000663	97, 101, 105, 109, 113
Lubricator	
9002071P	17, 21, 23, 25

M

Magnet	
F8390801	45
Magnetic Door Switch Bracket	
C002995	49
Main Board Controller Kit	
C000281P	83
Manifold Fill Tray Bracket	
C000891	95, 101, 105
Motor	
C000206P	95, 99, 103, 107
C002199	111
Motor Bracket	
C000766	95, 99, 103, 109, 111
Motor Bushing	
C000717	95, 99, 103, 107, 111
Motor Cable	
C002424	95, 99, 103, 107, 111
Motor Pulley	
C000884P	95, 99, 103, 107, 111
Mount on Concrete Warning Label	
F8246401	13
Mounting Bracket	
C000373	85, 87, 89
C000375	83
C000658	19, 21, 25
C000892	51, 53, 55, 61, 67, 69
Mounting Flange Weldment	
C002164	57, 63, 71, 75

N

Nipple	
C000894	51, 53, 55, 57, 63
C000896	51, 53, 55, 61, 67, 69
C001005	55
C001144	67
F420107	57, 59, 65
F421323	77
Nut	
C000159	19
C000560	43, 45, 79
C000568	27, 29, 31, 85, 87, 89
C000574	43, 45, 47, 49
C000576	47, 49
C000578	47, 49
C000611	79, 81
C000763	15
C001236	43, 45

N/A items do not appear in index.

F431024	27, 29, 31, 33, 43, 45, 51, 53, 55, 57, 59, 61, 63, 65, 73, 75, 79, 81, 83, 95, 97, 99, 105, 107, 111
F431026	43, 45
803017	43, 45, 95, 99, 103, 107, 111

O

Overflow Hose	
C000807	97, 99, 105, 107, 111

P

Pinched Fingers Label	
502506	11
Plate	
C001915	19
Plug	
C000781	79, 81
F140527	95, 103
Pop Rivet	
F431215	49
F431223	45
Power Block Terminal	
C000290	85, 87
C000370	85, 87, 89
PowerFlex 40 Drive	
C002890	91
C002891	91
C002892	91
C002893	91
C003149	93
C003151	93
PowerFlex 40 Drive Kit, 160-Series to	
C002884	91
C002885	91
C002886	91
C002887	91
C003150	93
C003152	93
Proximity Mounting Bracket	
C000969	15, 17, 23
Proximity Switch Assembly	
C002637P	15, 17, 19, 21, 23, 25, 99, 103, 107, 111
Pulley Alignment Tool	
C003317P	111
C003318P	105, 107
C003319P	95, 99
Push Decal	
F230303	11, 13

R

RC Network Assembly	
C002999	83
RC Network Filter	
F330217P	83
Rear Electrical Enclosure Cover	
C000173	29, 95, 105
Rear Panel	
C000818	27, 29, 33

Rear Top Panel	
C000817	27, 29, 31
C002298	31
Reducer	
C000895	51, 53, 55
Reducing Connector	
C001649	17, 21, 23, 25, 99, 107
Reducing Coupling	
C000978	77
Reducing Tee	
C002165	57, 63
Reed Switch Assembly	
C003000	49
Right Rear Side Panel Assembly	
C002961	33
Roller Bearing	
C000164	19
Rub Rail	
C001014	27, 29, 31

S

Screw	
C000554	19, 21, 25
C000567	27, 29, 31, 33, 47, 49, 51, 53, 55, 57, 59, 61, 63, 65, 73, 75, 83, 85, 87, 89, 95, 101, 105, 107, 113
C000572	47, 49
C000575	85, 87, 89
C000610	97, 99, 105, 107, 111
C000612	47, 49, 95, 99, 103, 107, 111
C000613	47, 49
C000614	47, 49
C001020	15, 17, 23
C001032	43, 45, 79, 81
C001093	37
C001148	39, 41
C001294	37
C001856	79, 81
C001907	79
F430124	95, 103, 111
F430144	95, 99, 103, 107
F430909	39, 41, 83, 85, 87, 89
F430910	27, 29, 31, 83
F430920	39, 41
F430925	39, 41
F430929	15, 17, 19, 21, 23, 25, 27, 29, 33
F430938	85, 87, 89
F430993	111
JA-51516	99, 107
81398	47, 49
Seal Plate	
C000158	19
C000165	19
C000166	19
C000754	15
C000755	15
C000756	15
Seal Plate Gasket	
C001706	15
Shell Assembly	
C000772	79, 81
Shell Band Weldment	
C001887	79, 81
C002730	79

Shell Front Assembly	
C002943	79, 81
C002978	79, 81
Shell Front Gasket	
C001876P	79, 81
Shell Front Gasket Kit	
F8513501	43, 45
Shell Gasket Shield	
F601216	79, 81
Shell Support Brace	
C000837	97, 101, 105, 109
C002311	113
Side Dispenser Assembly	
C000648	41, 95
C001583	41
Side Dispenser Door	
C000642	41
Side Panel and Stiffener Assembly	
C002717	27, 29, 33
C002718	27, 29, 33
Side Panel Assembly	
C002962	27, 29, 33
C002963	27, 29, 33
Single Cup Cold Plumbing Assembly	
C001022	61
C002537	63
Single Fan Harness	
C002617P	105, 107
Single Shroud Assembly	
C001201	103, 109
Single Side Dispenser Assembly	
C000853	39
C001582	39
Single Side Dispenser Door	
C000855	39
Spin Warning Decal	
F200085100	9, 13
Spring	
C000431	47, 49
Spring Clip	
C000995	95, 101, 103, 107
Spring Hose Clamp	
C001004	41
Standoff	
C000376	83
Steam Cord Assembly	
C002748P	77
Steam Hose	
C000982	77
Steam Hose Adapter	
C001587	77
Steam Hose Insulation	
C001003	77
Steam Injector Tube Assembly	
F603132	77
Steam Inlet Weldment	
C002898	77
Steam Option Assembly	
C001000	77
Steam Valve	
F8322904	59, 65, 73, 77
Steam Valve Mounting Bracket	
C000981	77

N/A items do not appear in index.

Street Elbow	
C000893	51, 53, 55, 61, 67, 69
F420502	57, 59, 63, 65, 73
F421707	77
Stud	
C000601	43, 45
Supply Cup	
C000646	39, 41
C000647	41
Supply Dispenser Hose	
C000379	97
C000414	105
Supply Dispenser Nozzle	
C000073	39, 41
Supply Signal Decal	
C000506	9

T

Tee	
C000900	51, 53, 55
F420403	57, 65
Temperature Probe Assembly	
C002636	97, 99, 103, 107, 113
Temperature Probe Grommet	
C000510	97, 99, 103, 107, 113
Terminal Block	
M413865	89
Terminal Bracket	
C001132	87
Thermostat	
C000318	85
Tie Wrap Mounting Clamp	
F140602	87
Tilt Switch Assembly	
C002642P	83
Top Brace	
C000876	27
Top Panel Access Cover	
C002017	29, 31
Transformer	
C000203	85, 87, 89
Trim Gasket	
C000629	29, 31
Triple Lip Seal	
C003007	21, 25
Tubing	
C000628P	17, 21, 23, 25, 39, 113

V

Vacuum Breaker Assembly	
C000830	95, 101, 105, 107
C001274	101
C002518	113
Vacuum Breaker Cover	
C001772	99, 107, 111
Vacuum Breaker Hose	
C000599	79, 81, 99, 103, 107
Vacuum Breaker Plug	
C000679	95, 103, 113

Valve	
C000716P	51, 53, 63, 65
F381700P	59, 65, 73
Valve Panel	
C000816	29
Valve Panel Assembly	
C002983	27, 33
Valve Rebuild Kit	
F8379502	59, 65, 73
V-Ring Seal	
C000070	19
C000156	19
C000757	15
C000765	15

W

Warning Label	
F8233501	13
44127701	13
500049	11
Washer	
C000161	19
C000177	43, 45, 95, 99, 103, 107, 111
C000555	19, 21, 25
C000556	95, 99, 103, 107, 111
C000571	15, 17, 19, 21, 23, 25, 27, 29, 31, 33, 47, 49, 83, 85, 87, 89, 99, 107, 111
C000583	79, 81, 95, 99, 103, 107, 111
C000585	27, 29, 31, 33, 97, 99, 105, 107, 111
C000590	79, 81
C000764	15
C001021	15, 17, 23
C001239	37
F431133	83, 85, 87, 89
J1001270	79
Water Hose	
F200128P	59, 73
Water Inlet Hose	
C000808	97, 99, 101, 105, 109, 113
Water Level Transducer	
C002104P	83
Water Line Caution Decal	
F230734	9
Water Valve	
C000339P	51, 53, 55, 57, 61, 63, 67, 75
C000436P	55, 57, 59
Water Valve Rebuild Kit	
C001676P	57
Water Valve Repair Kit	
F380991P	59
F380992P	55

N/A items do not appear in index.